

Tides
Neo-Angle

Step 1: Choose the Product Collection and Door Type

- Tides Framed Neo-Angle Door (TDNA)

Step 2: Choose Glass Style and Frame Finish

Glass Styles*

	<i>Clear</i>	<i>Obscure</i>	<i>Glue Chip</i>	<i>Autumn</i>	<i>Pebble</i>	<i>Reeded</i>	<i>Blue</i>	<i>Rain</i>	<i>Steam Mist</i>
	CL	OB	GC	AU	PB	RD	BL	RN	SM
Tides	<input type="checkbox"/>	<input type="checkbox"/>	<input type="checkbox"/>	<input type="checkbox"/>	<input type="checkbox"/>	<input type="checkbox"/>	<input type="checkbox"/>	<input type="checkbox"/>	<input type="checkbox"/>

*Glass styles are only available for the door collections shown with a check box.

Finish Color Options

- Silver (SV)
- Gold (GL)
- Oil Rubbed Bronze (OR)
- Brushed Nickel (BN)

Step 3: Measure Opening

Height* (H): 70" Overall

*Custom Tides Neo-Angle Doors are currently available only with 70" overall heights.

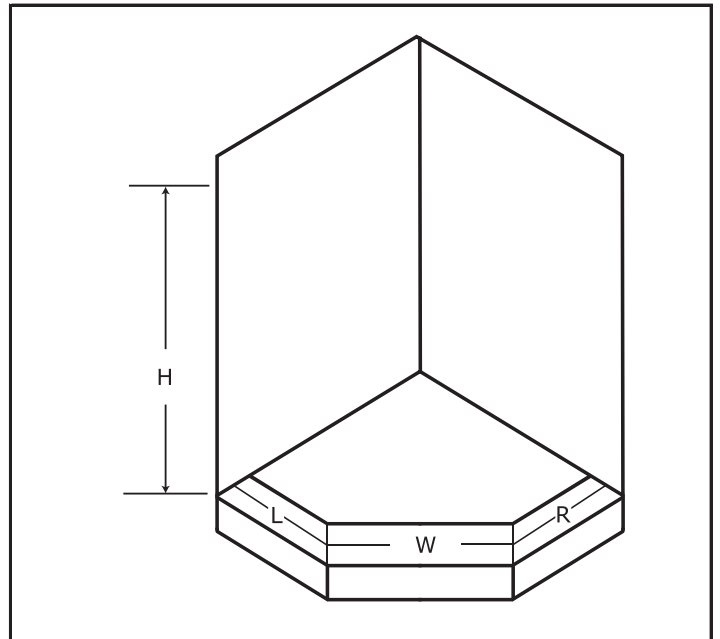
Left Side Panel
Centerline Dimension (L): _____

Door Opening
Centerline Dimension (W): _____

Right Side Panel
Centerline Dimension (R): _____

Pivot Location: Left
(as viewed from outside) Right

*Custom Neo-Angle Enclosures are available up to 28" by 28" by 28".



Step 4: Build Model Number

TDNA 9999 - - _____
Collection & Type Unit Glass Finish