

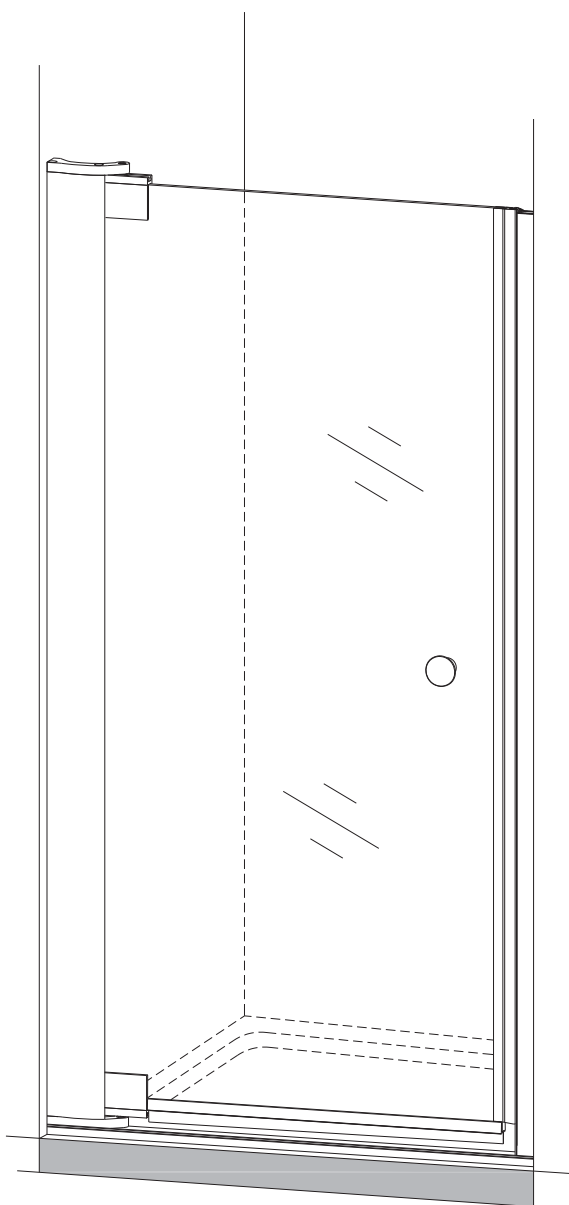
COVE FRAMELESS PIVOT

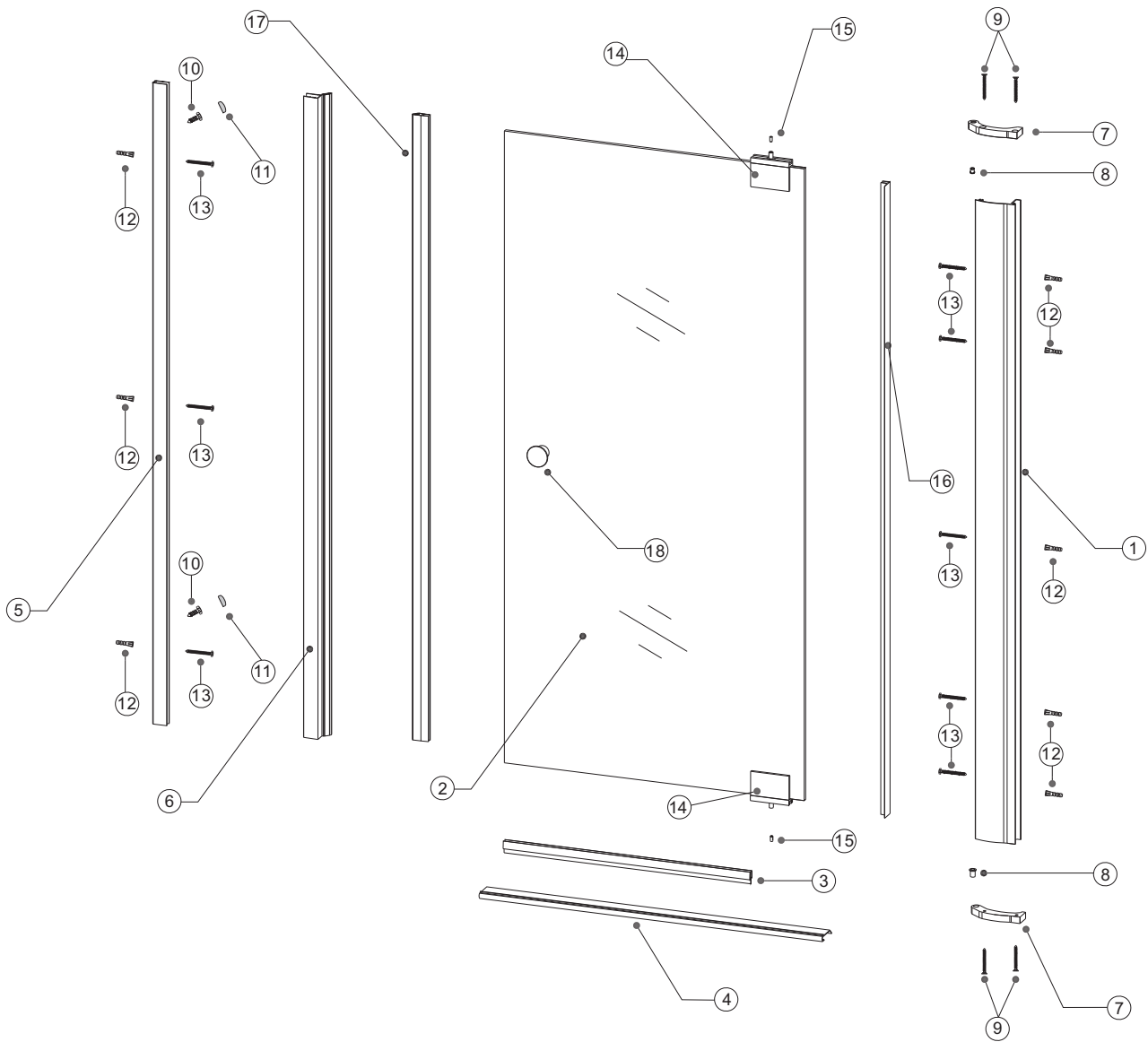
Installation Manual

IMPORTANT: Record the Model No.(see carton) of your tub or shower enclosure for future reference.

Model No. _____

READ THE INSTRUCTIONS CAREFULLY, familiarize yourself with all the parts as shown in the exploded view. The exploded view will also provide a helpful reference when relating to the location of the various parts and how they are mounted.



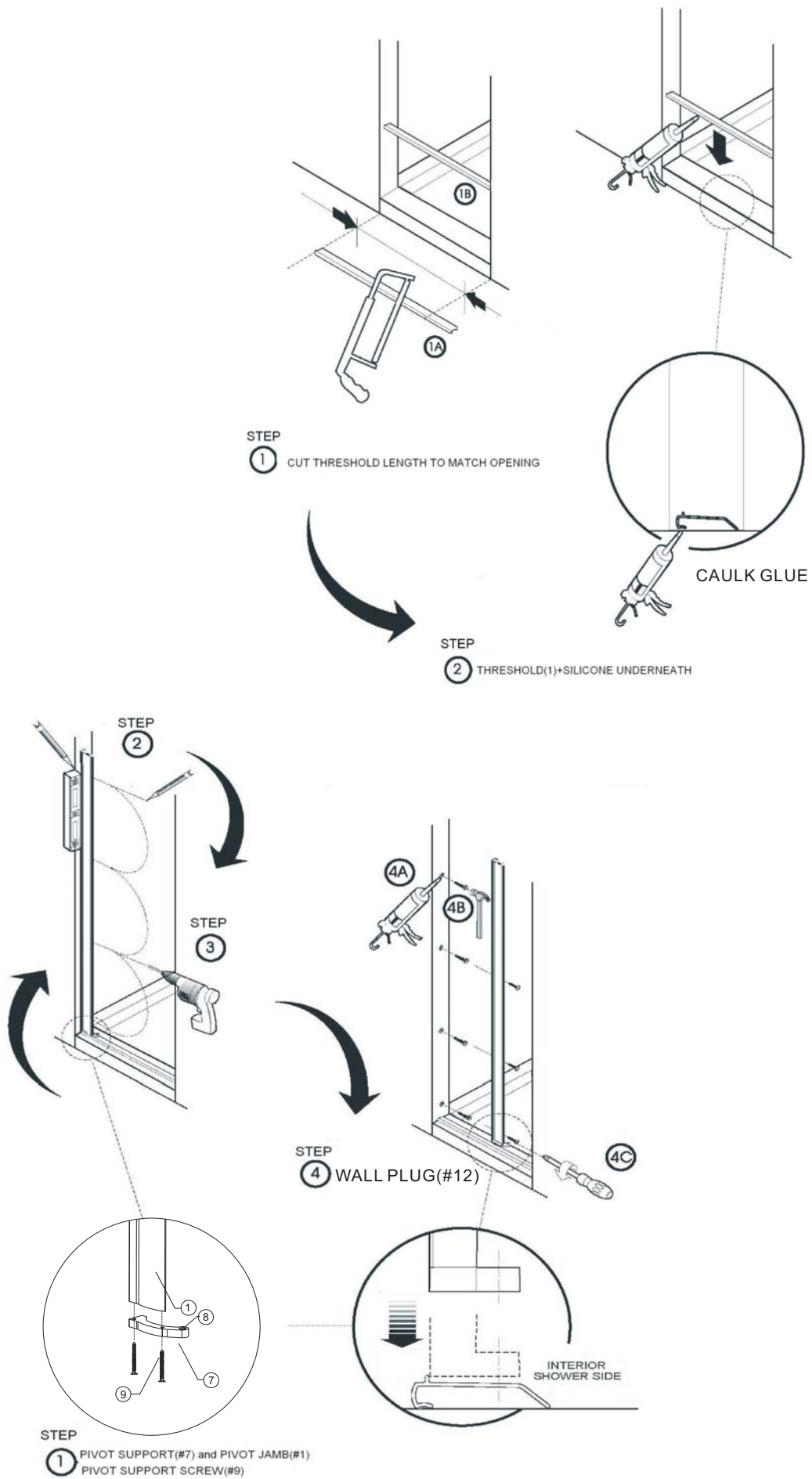


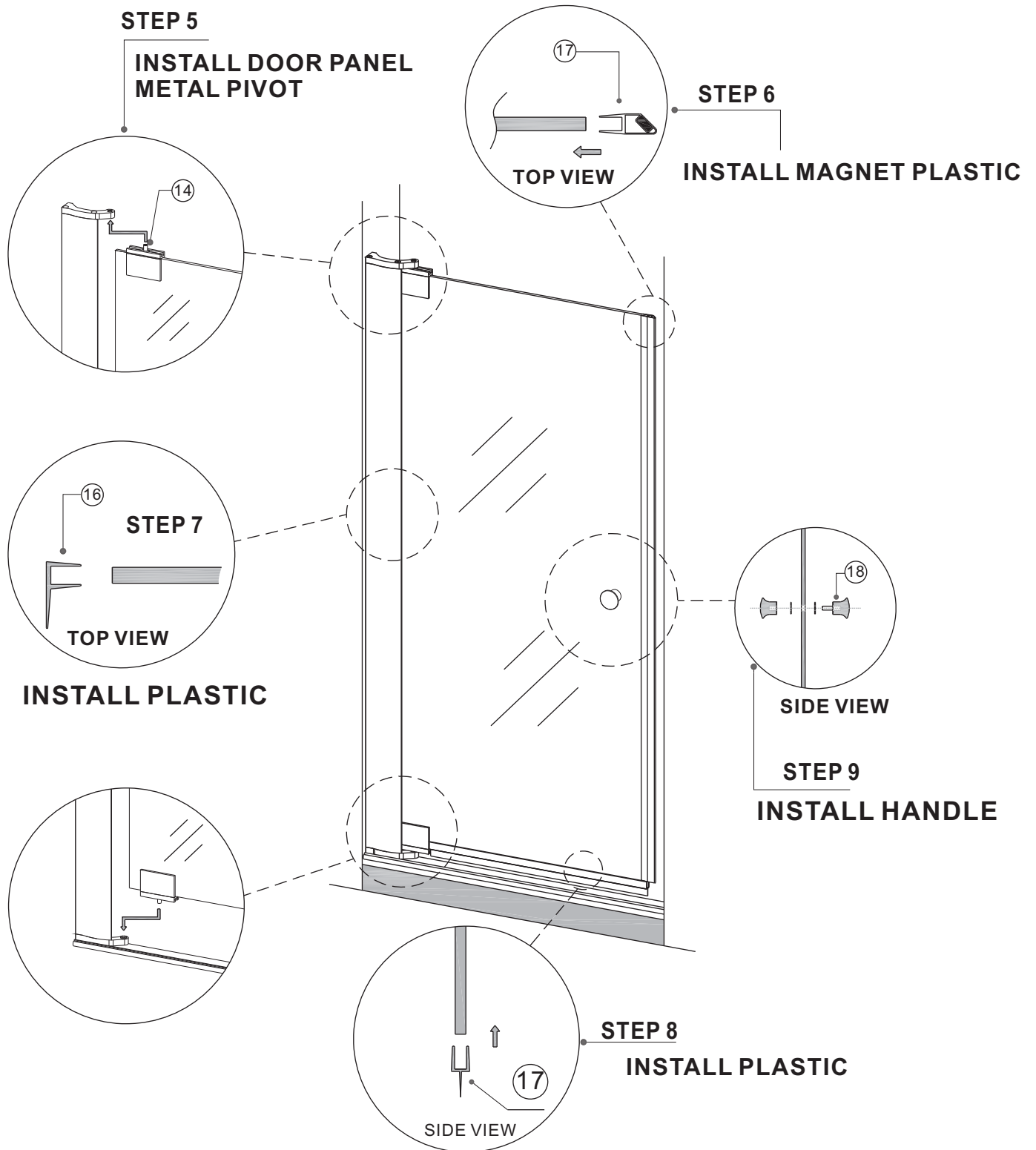
• PART LIST.

①	②	③	④	⑤
	DOOR PANEL			
PIVOT JAMBA (1 Pcs)	DOOR PANEL (1 Pcs)	PLASTICS (1 Pcs)	BOTTOM TRACK (1 Pcs)	WALL JAMBA (1 Pcs)
⑥	⑦	⑧	⑨	⑩
MAGNET WALL JAMBA (1 Pcs)	SUPPORT PIVOT (2 Pcs)	SUPPORT PIVOT PLASTIC (2 pcs)	SUPPORT PIVOT SCREW (4 pcs)	SCREW (2 pcs)
⑪	⑫	⑬	⑭	⑮
SCREW CAP (7 pcs)	WALL PLUG (8 pcs)	SCREW (8 pcs)	METAL PIVOT (2 pcs)	METAL PIVOT SCREW (2 pcs)
⑯	⑰	⑱		
PLASTICS (1 pcs)	MAGNET PLASTICS (1 pcs)	HANDLE (1 pcs)	WRENCH (1 pcs)	

• TOOLS.

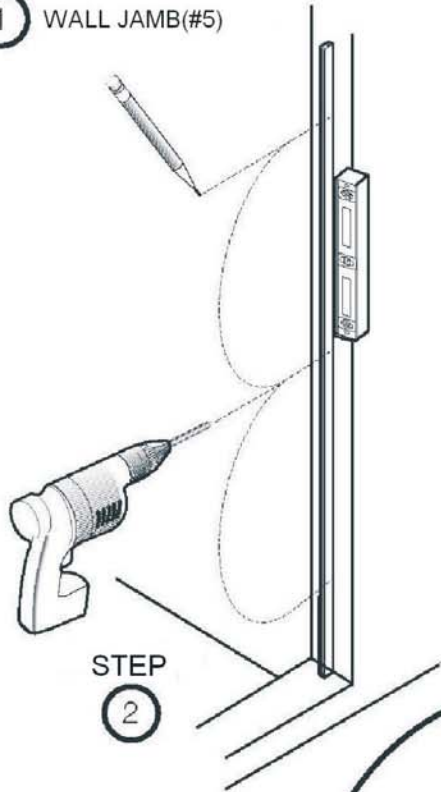
SILICON	DRILL
MEASURE TAPE	RUBBER MALLET
DRILL BITS 1/8" 1/4"	LEVEL
SCREW DRIVERS	PENCIL
HANDSAW	





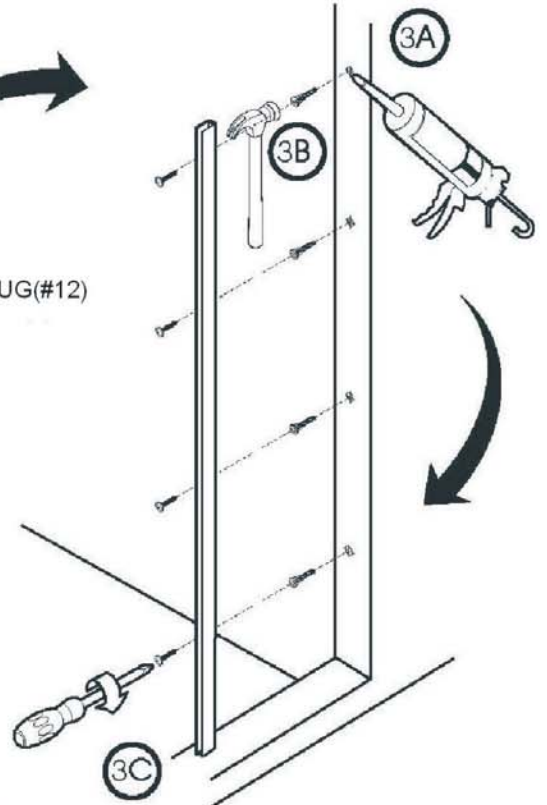
STEP

1 WALL JAMB(#5)



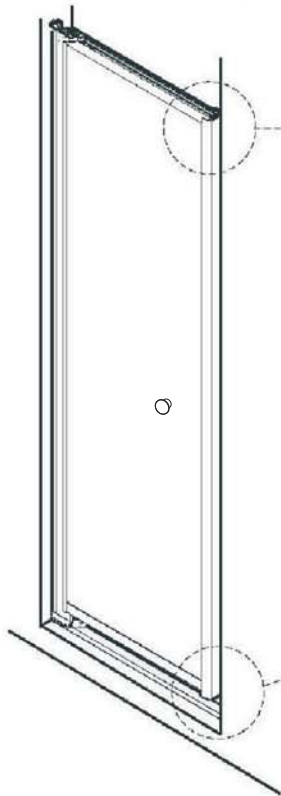
STEP

3 WALL PLUG(#12)



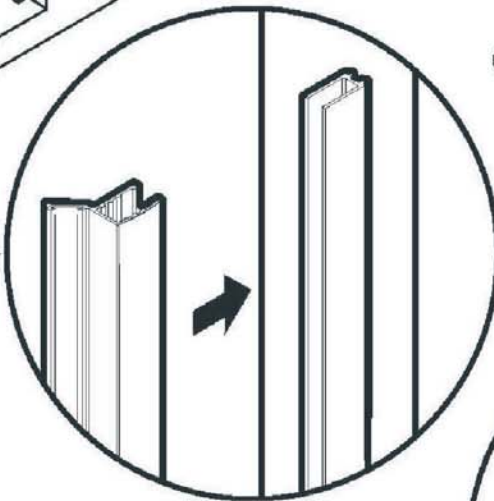
STEP

2



STEP

4 MAGNET JAMB(#6)
and
WALL JAMB(#5)



STEP

5 SCREW 3/8(#10) and SCREW CAP(#11)



PLEASE CLOSE THE PIVOT DOOR AND CHECK TO SEE IF THE DOOR IS CLOSE TO THE MAGNET WALL JAMB (6). IF IT IS NOT CLOSE TO THE WALL JAMB, PLEASE USE WRENCH (19) TO LOOSEN SCREW (15) AND MOVE TO THE CORRECT POSITION IF IT'S OK. AND THEN TIGHTEN THE SCREW (15). YOU CAN ALSO ADJUST MAGNETIC JAMB TO GET TIGHT FIT.

