

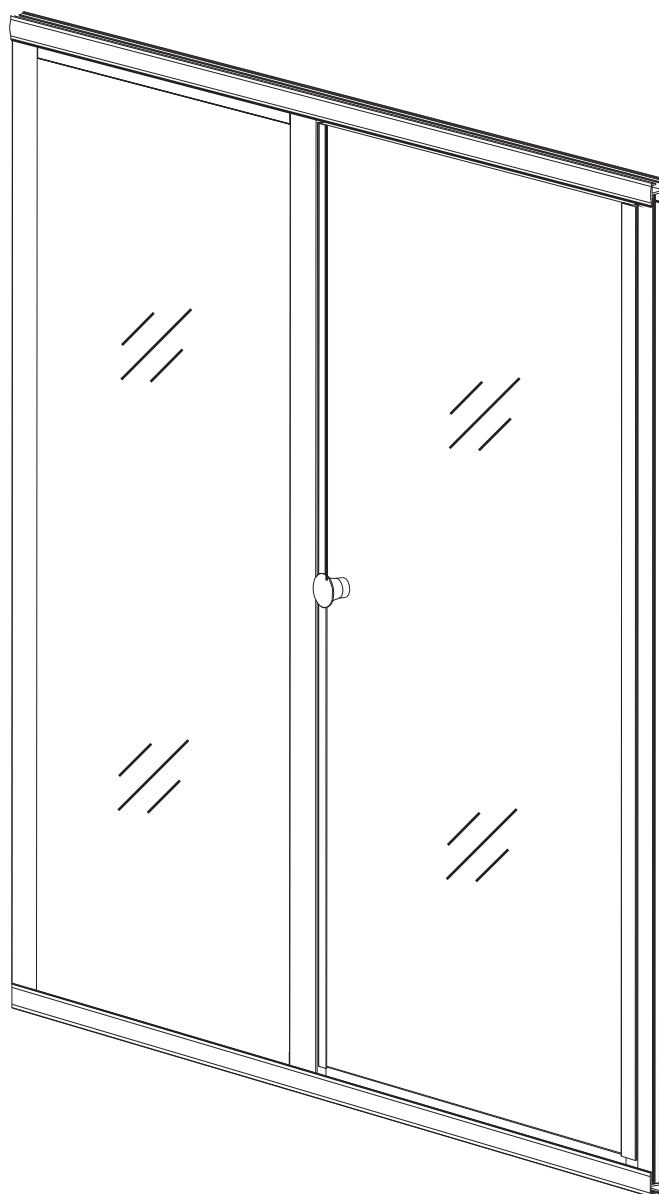
LAGOON DOOR AND PANEL

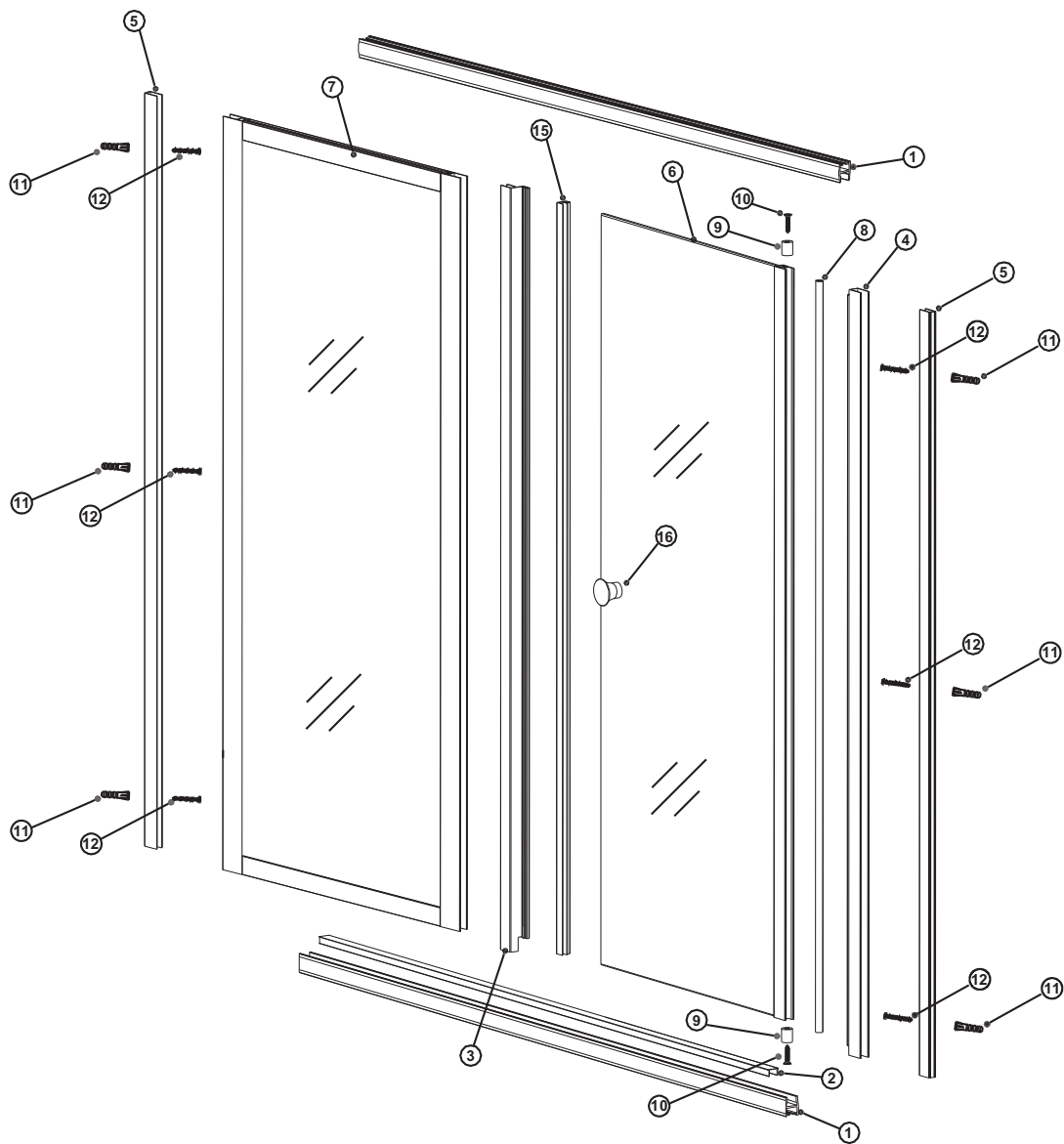
Installation Manual

IMPORTANT: Record the Model No.(see carton) of your tub or shower enclosure for future reference.

Model No. _____

READ THE INSTRUCTIONS CAREFULLY, familiarize yourself with all the parts as shown in the exploded view. The exploded view will also provide a helpful reference when relating to the location of the various parts and how they are mounted.



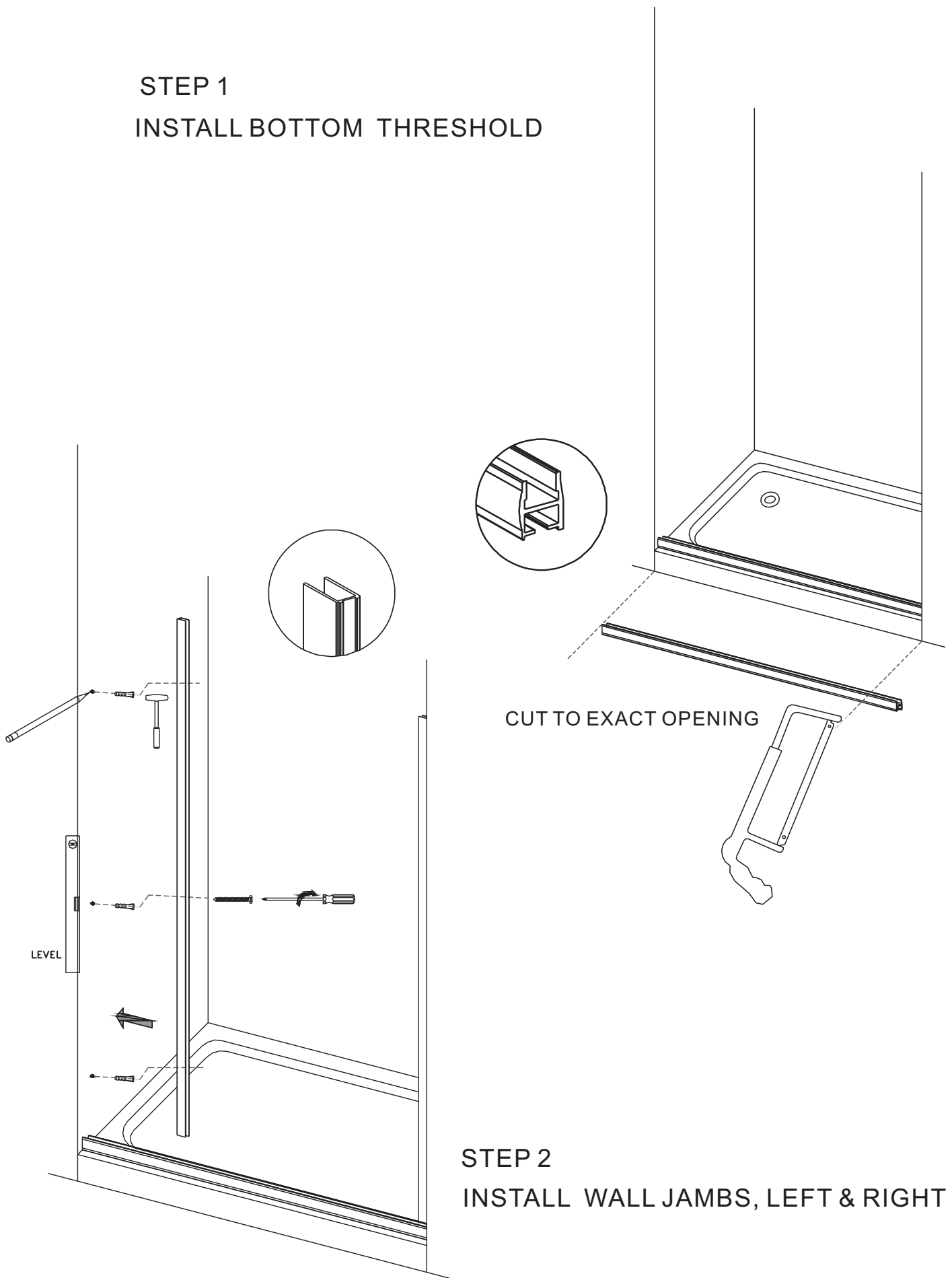


PART LIST.

TOP / BOTTOMTRACK (2 Pcs)	BOTTOM CAP (1 Pcs)	MAGNET JAMBA (1 Pcs)	PIVOT JAMBA (1 Pcs)	WALL JAMBA (2 Pcs)
PANEL DOOR	FIXED DOOR	PLASTIC PIVOT (1Pcs)	BUSHING (2 Pcs)	SCREW 4 x 38mm
WALL PLUG (6 Pcs)	SCREW 1 1/2" (6 Pcs)	SCREW 1/2" (8Pcs)	SCREW CAP (10pcs)	PLASTIC MAGNET (1Pcs)
HANDLE (1 Pcs)				

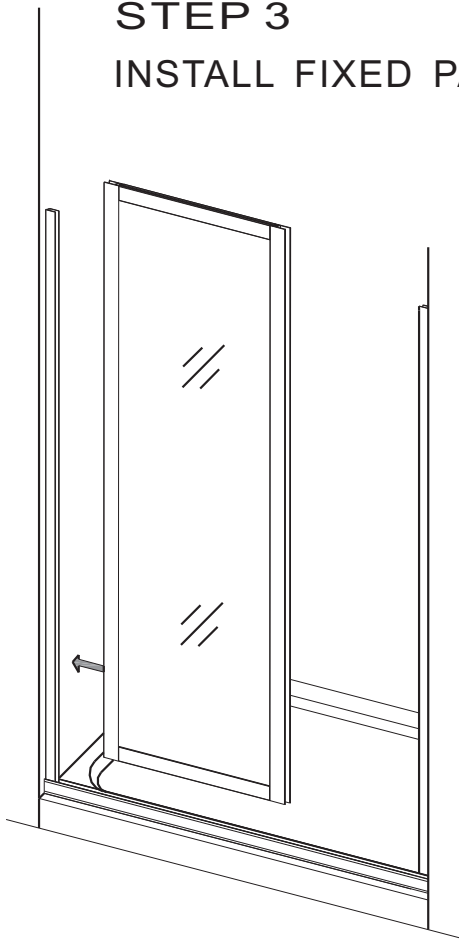
TOOLS.

STEP 1 INSTALL BOTTOM THRESHOLD

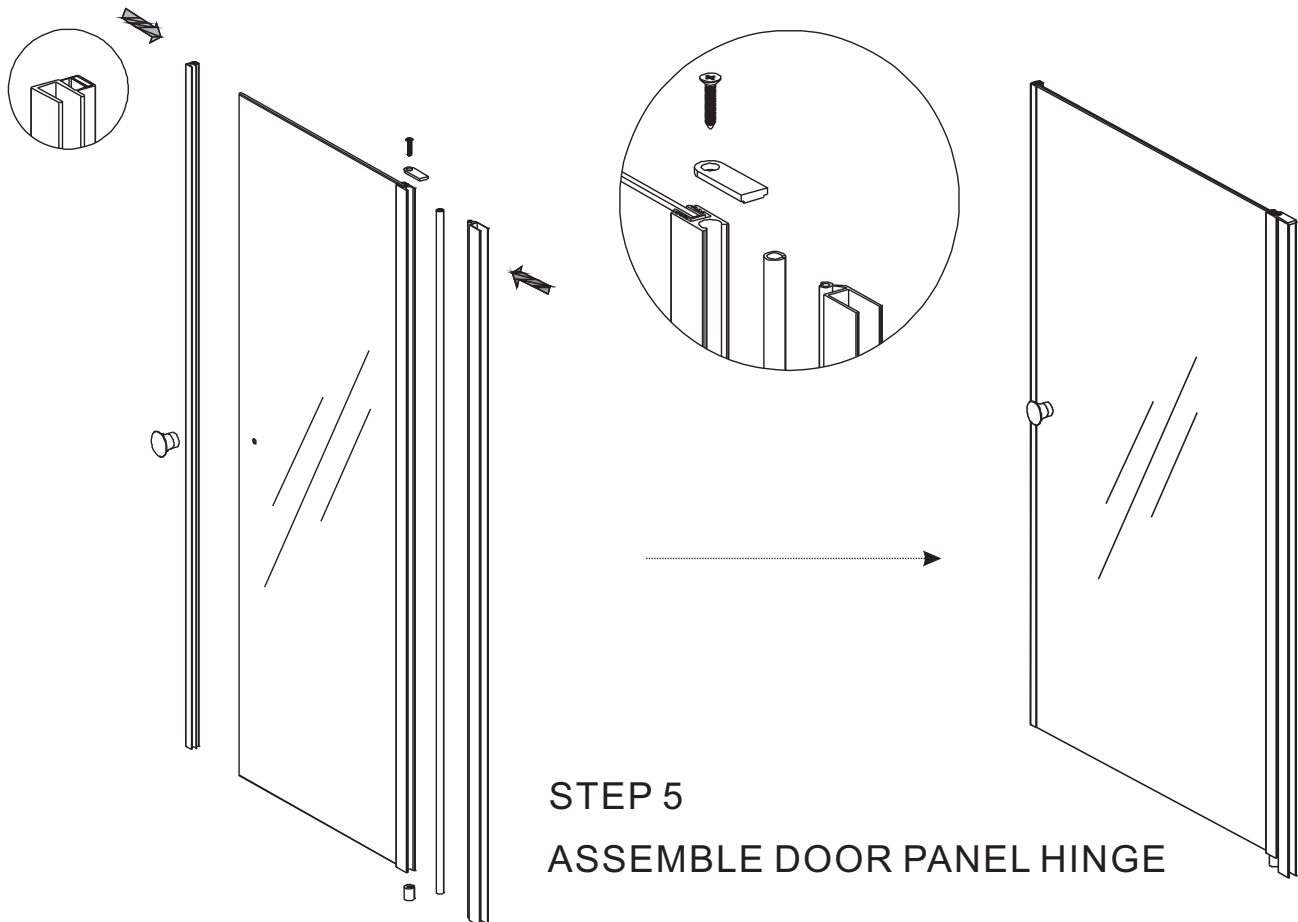
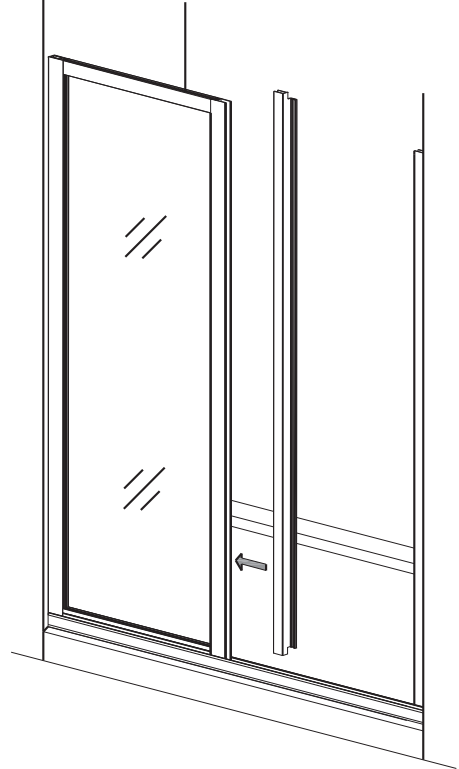


STEP 2 INSTALL WALL JAMBS, LEFT & RIGHT

STEP 3 INSTALL FIXED PANEL



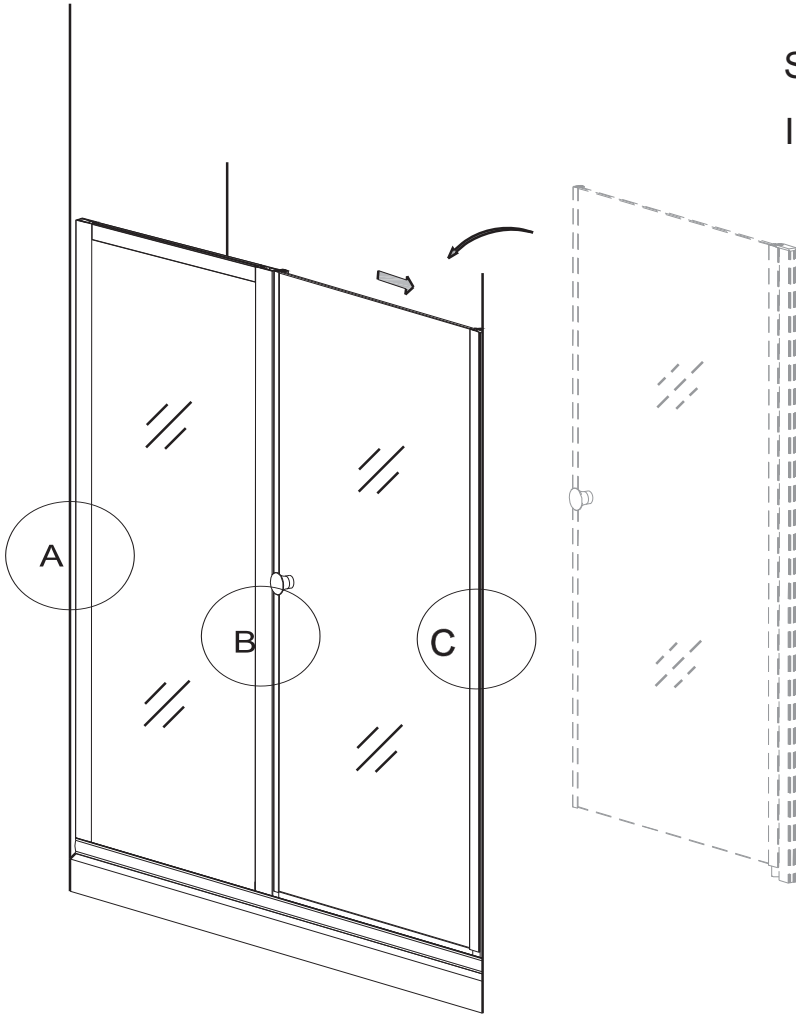
STEP 4 INSTALL MAGNET JAMB



STEP 5 ASSEMBLE DOOR PANEL HINGE

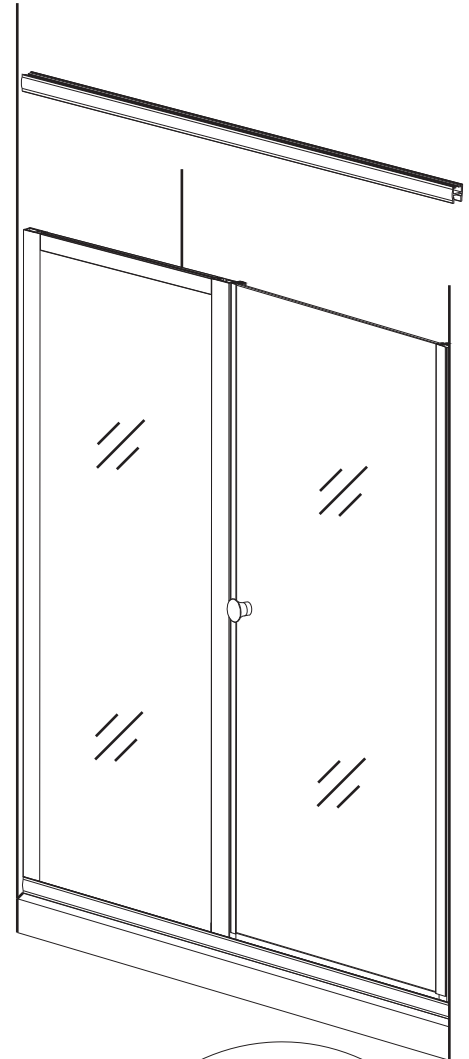
STEP 6

INSTALL DOOR PANEL



STEP 8

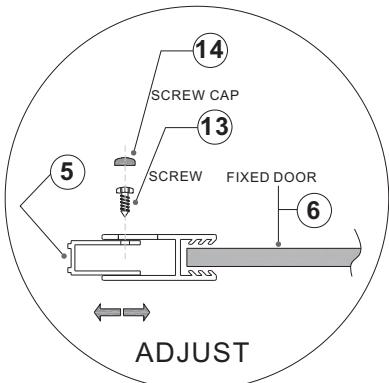
INSTALL TOP TRACK



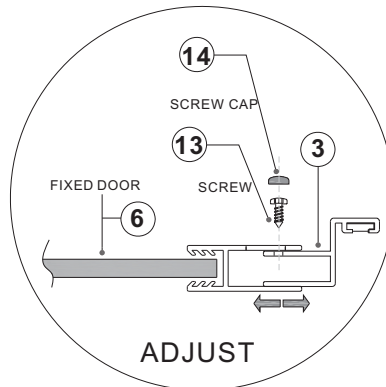
STEP 7

INSTALL SCREW AND SCREW CAP

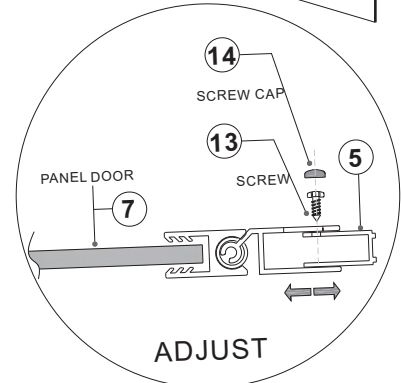
AFTER A,B,C ADJUSTMENT, TIGHTEN SCREW #14 ON ALL PIECES THROUGH SLOTS AND INTO HOLES, COVER WITH SCREW CAPS #14



DETAILED - A
SIDE VIEW

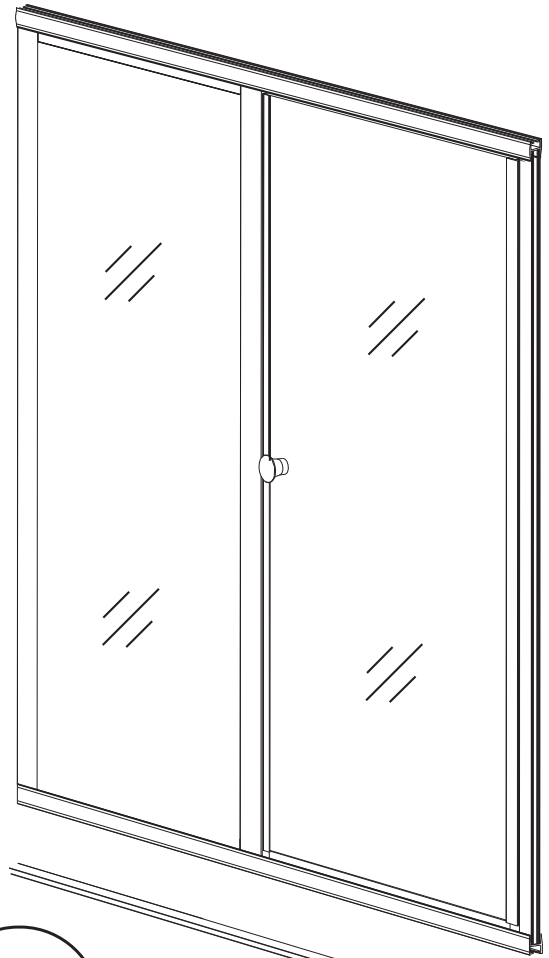


DETAILED - B
SIDE VIEW

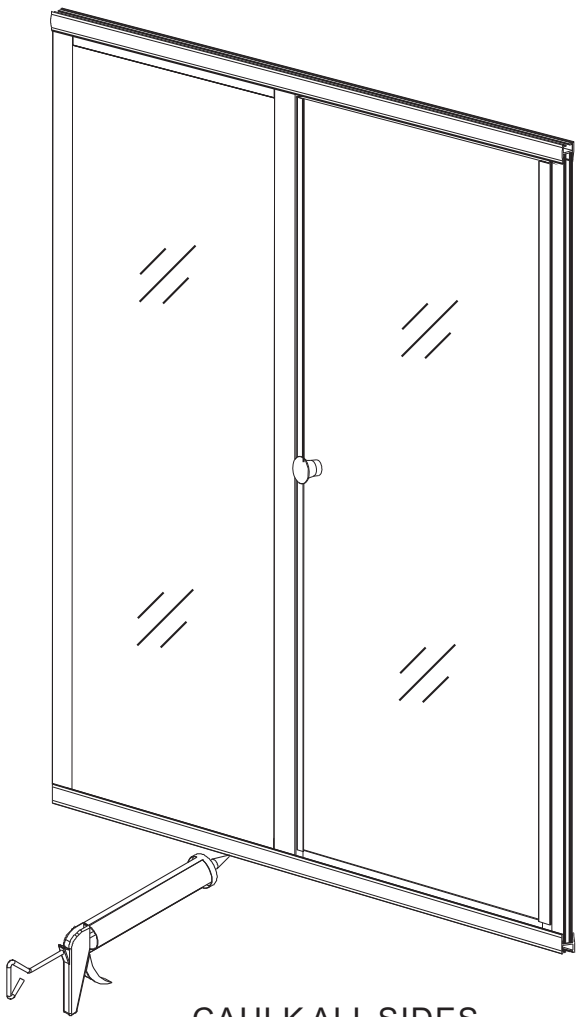


DETAILED - C
SIDE VIEW

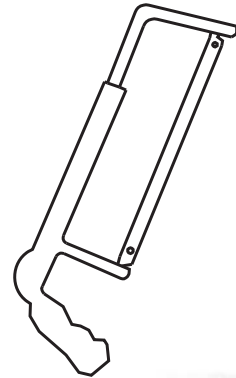
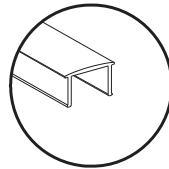
STEP 9
INSTALL BOTTOM CAP OVER
EXPOSED THRESHOLD UNDER DOOR



STEP 10
CAULK WITH SILICONE



CAULK ALL SIDES



24 Hours