

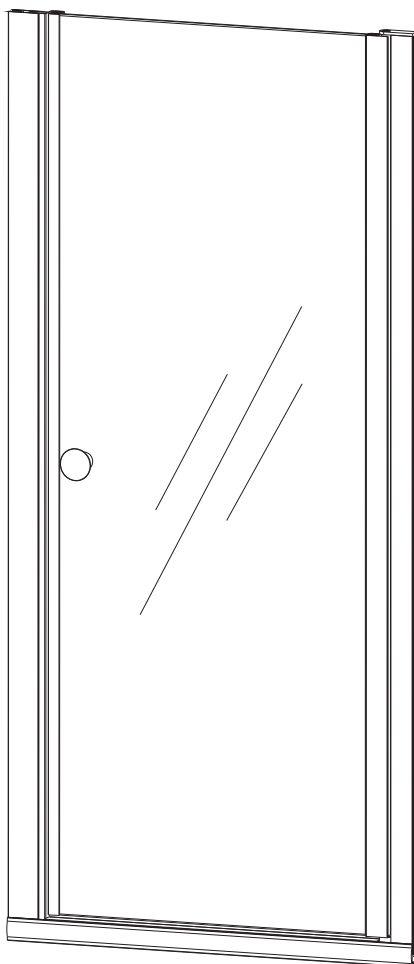
LAGOON SEMI FRAMELESS HINGE

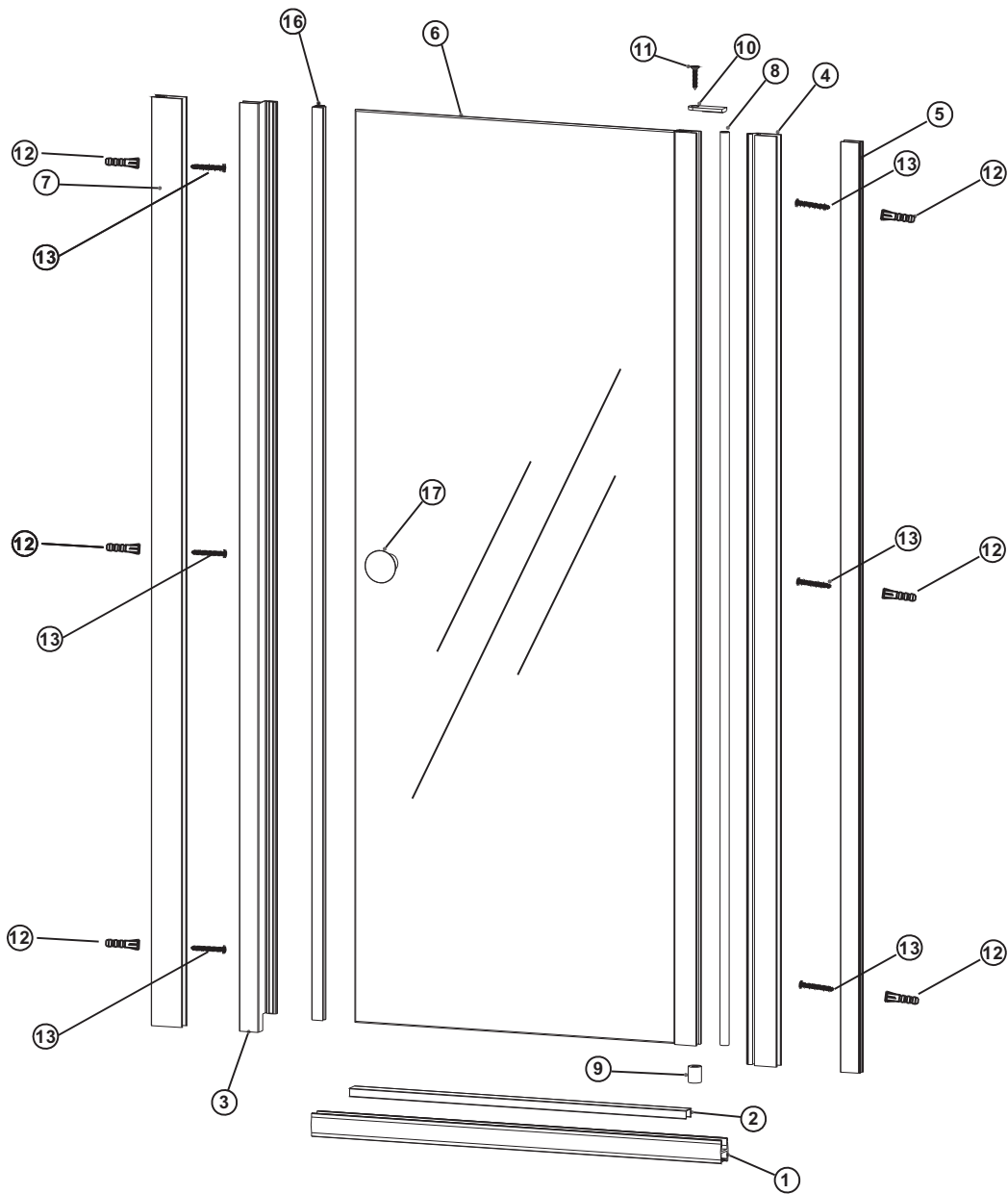
Installation Manual

IMPORTANT: Record the Model No. (see carton) of your tub or shower enclosure for future reference.

Model No. _____

READ THE INSTRUCTIONS CAREFULLY, familiarize yourself with all the parts as shown in the exploded view. The exploded view will also provide a helpful reference when relating to the location of the various parts and how they are mounted.





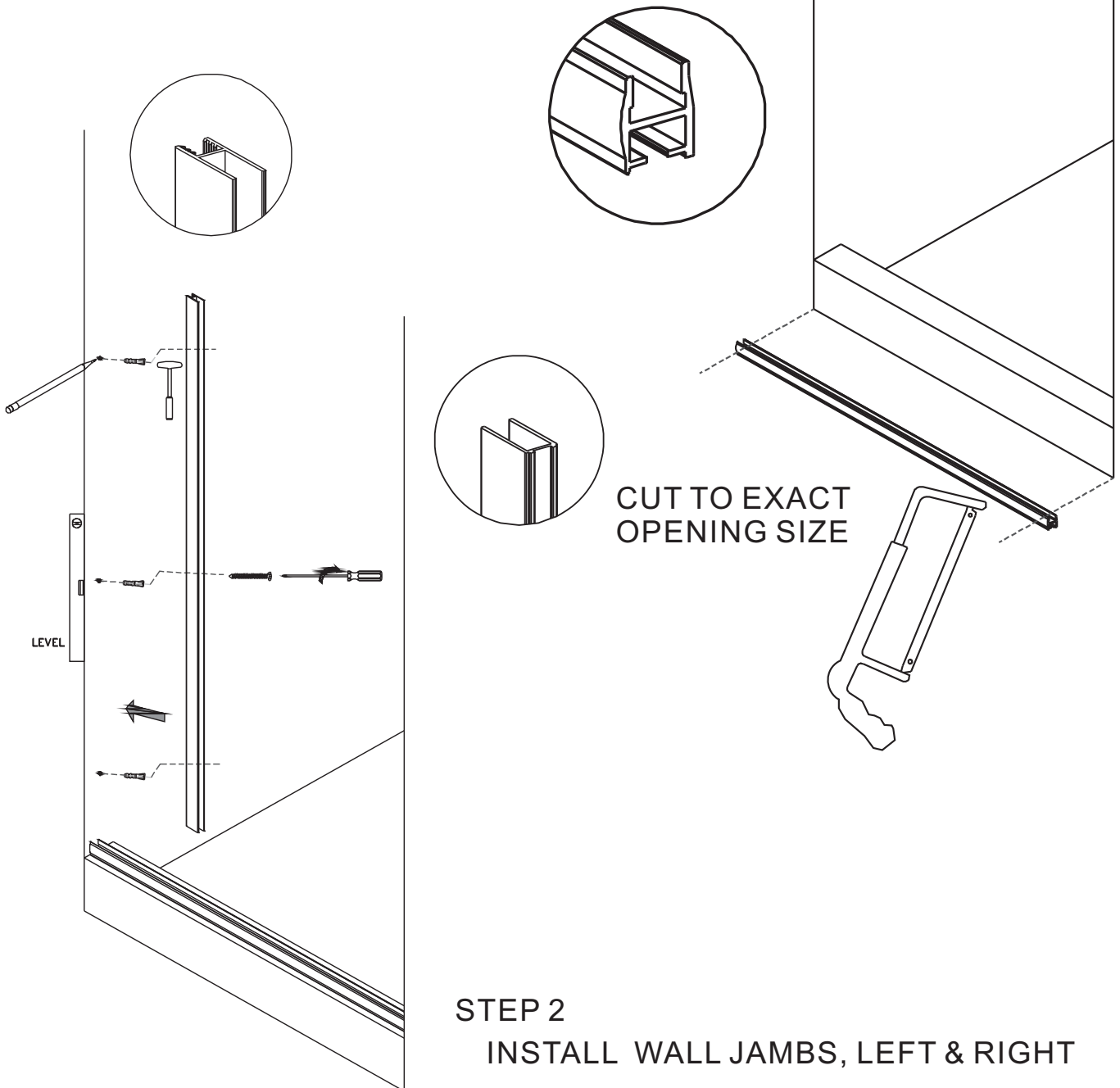
PART LIST.

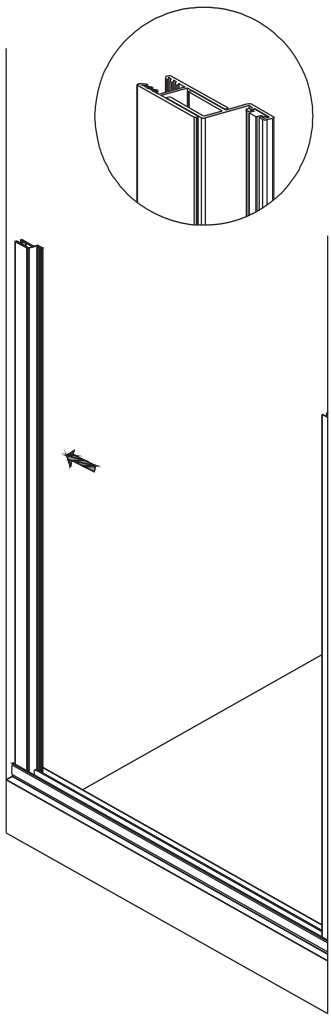
TOP / BOTTOMTRACK (1 Pcs)	BOTTOM CAP (1 Pcs)	MAGNET JAMB (1 Pcs)	PIVOT JAMB (1 Pcs)	WALL JAMB (1 Pcs)
PANEL DOOR	FRAME MOLDING (1PCS)	PLASTIC PIVOT (1 Pcs)	BUSHING (1 Pcs)	PLASTIC (1 Pcs)
4 x 35mm	WALL PLUG (6pcs)	4 x 38mm	4 x 8mm	SCREW CAP (6pcs)
SCREW (1pcs)	WALL PLUG (6pcs)	SCREW (6pcs)	SCREW (6pcs)	SCREW CAP (6pcs)
PLASTIC MAGNET (1pcs)	HANDLE(1 pcs)			

TOOLS.

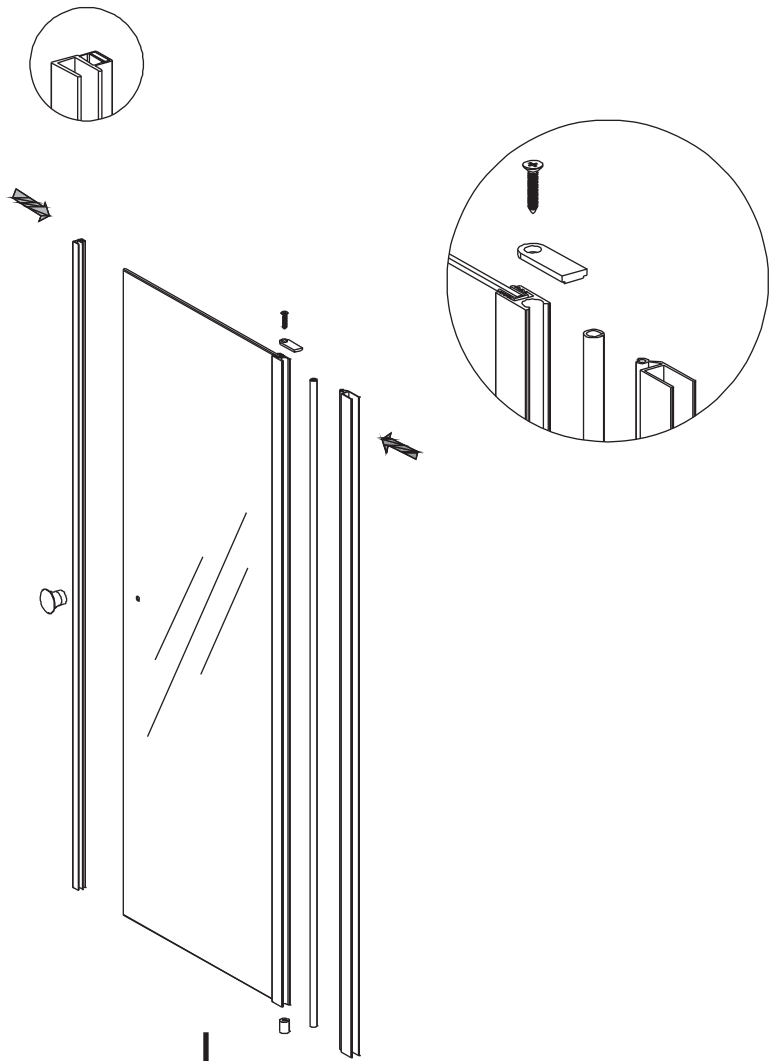
MEASURE TAPE	
1/8" 1/4"	

STEP 1 INSTALL BOTTOM THRESHOLD

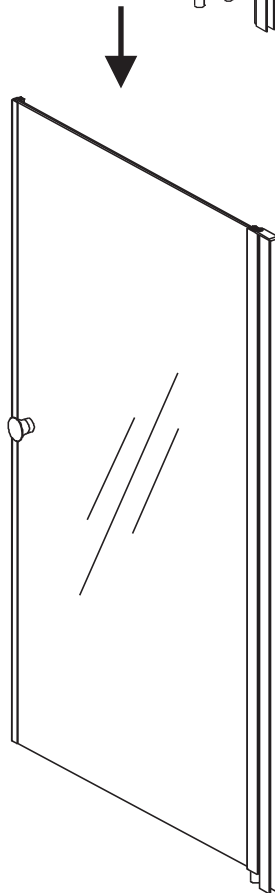




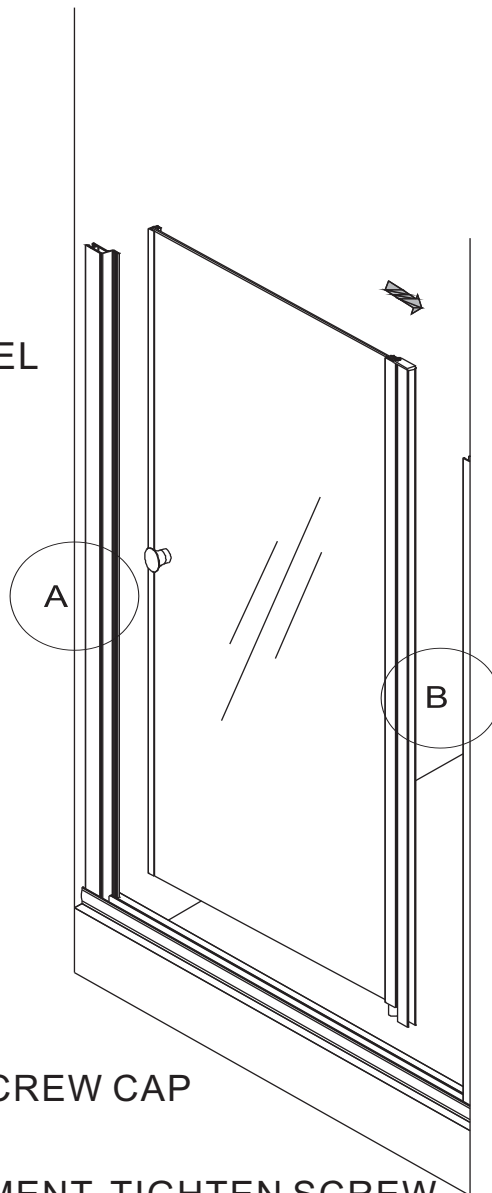
STEP 3
INSTALL MAGNET JAMB



STEP 4
ASSEMBLE HINGE ON
DOOR

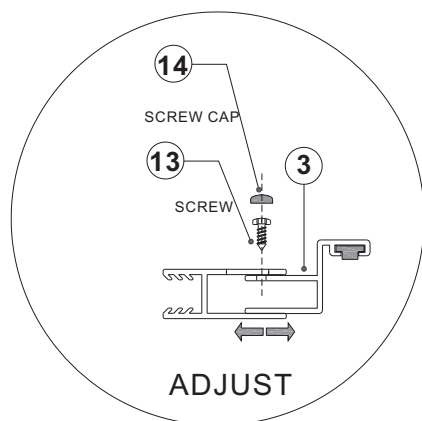


STEP 5
INSTALL DOOR PANEL

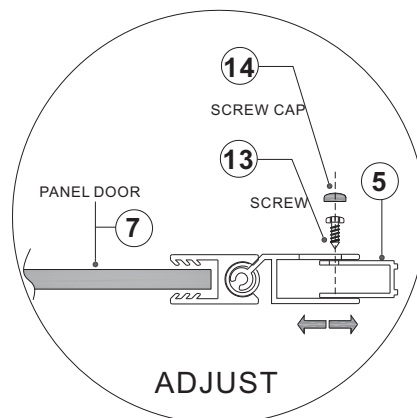


STEP 6
INSTALL SCREW AND SCREW CAP

AFTER A AND B ADJUSTMENT, TIGHTEN SCREW #14 ON ALL PIECES THROUGH SLOTS AND INTO HOLES, COVER WITH SCREW CAPS #14



DETAILED -A
SIDE VIEW



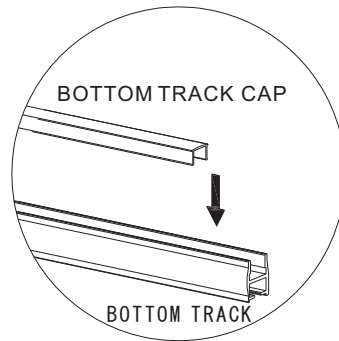
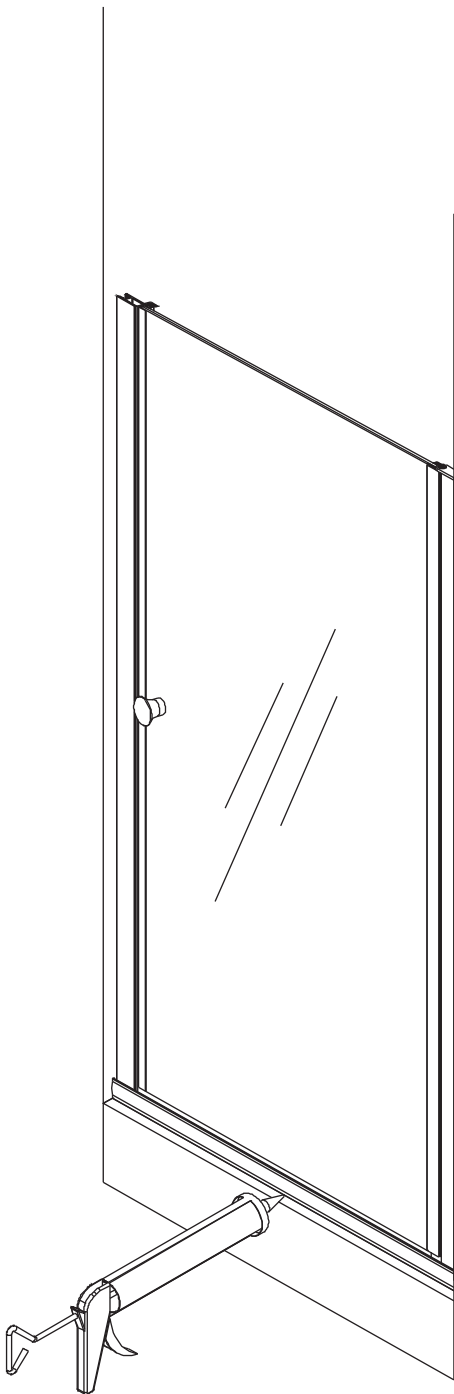
DETAILED -B
SIDE VIEW

STEP 7

INSTALL BOTTOM CAP

STEP 8

CAULK SILICON



24 Hours

CAULK ALL SIDES