

# LAKESIDE BY-PASS

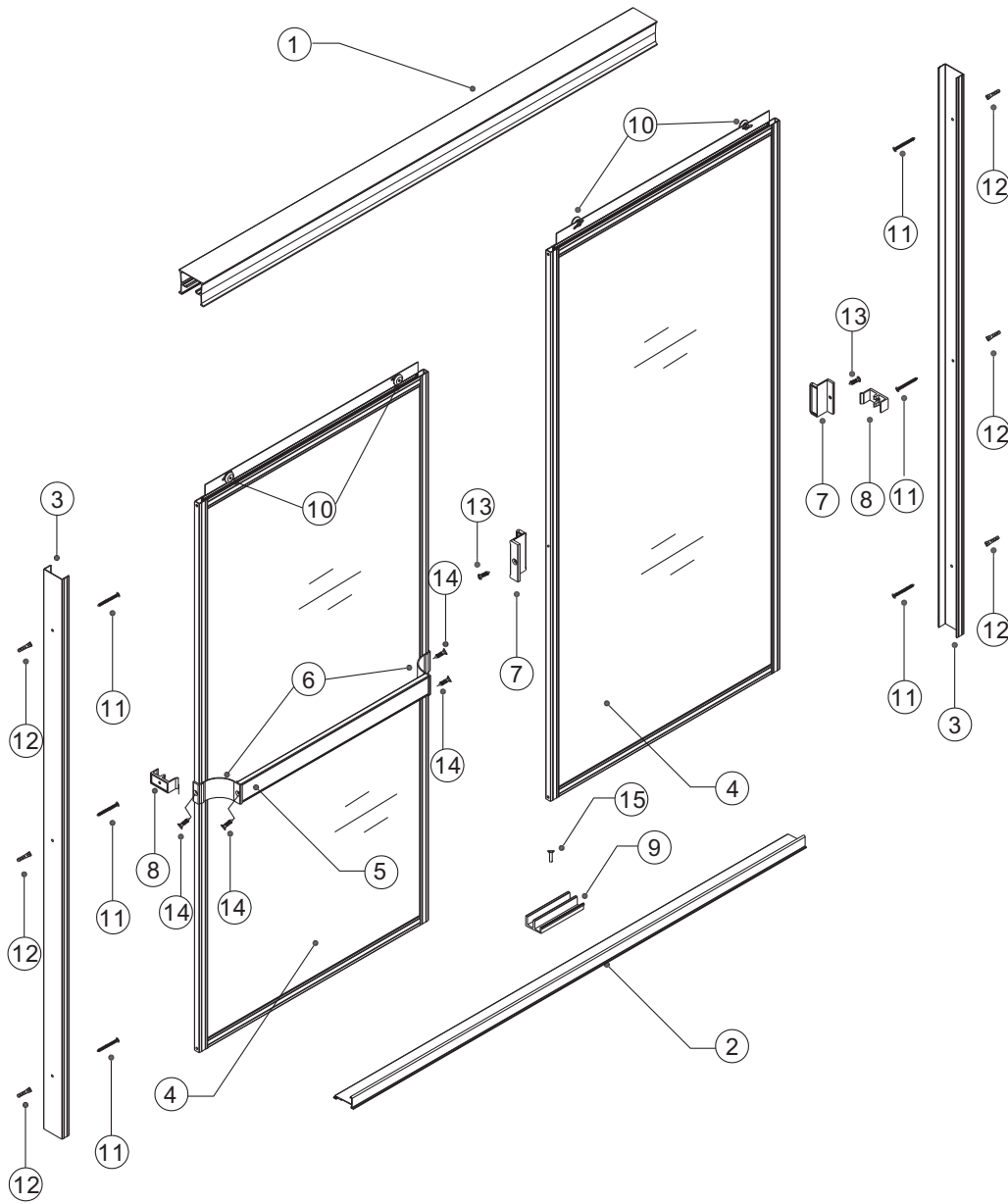
## Installation Manual

**IMPORTANT:** Record the Model No.(see carton) of your tub or shower enclosure for future reference.

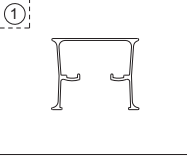
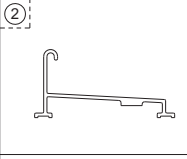
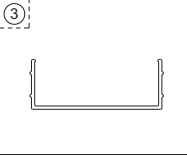
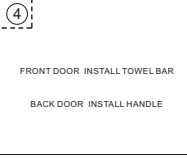
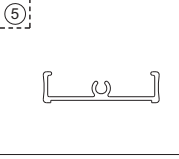
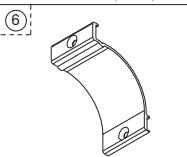
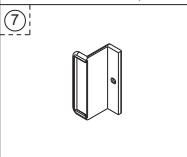
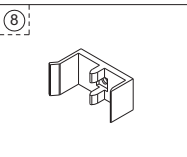
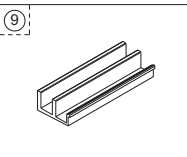
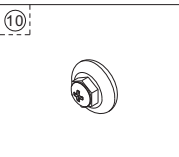

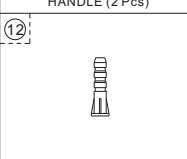

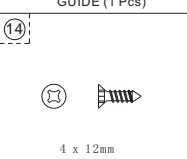
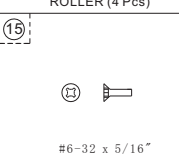
Model No. \_\_\_\_\_

**READ THE INSTRUCTIONS CAREFULLY,** familiarize yourself with all the parts as shown in the exploded view. The exploded view will also provide a helpful reference when relating to the location of the various parts and how they are mounted.


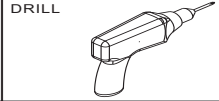



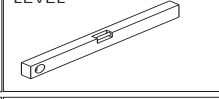
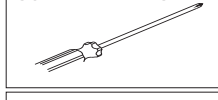

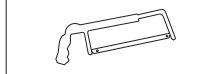




## • PART LIST.

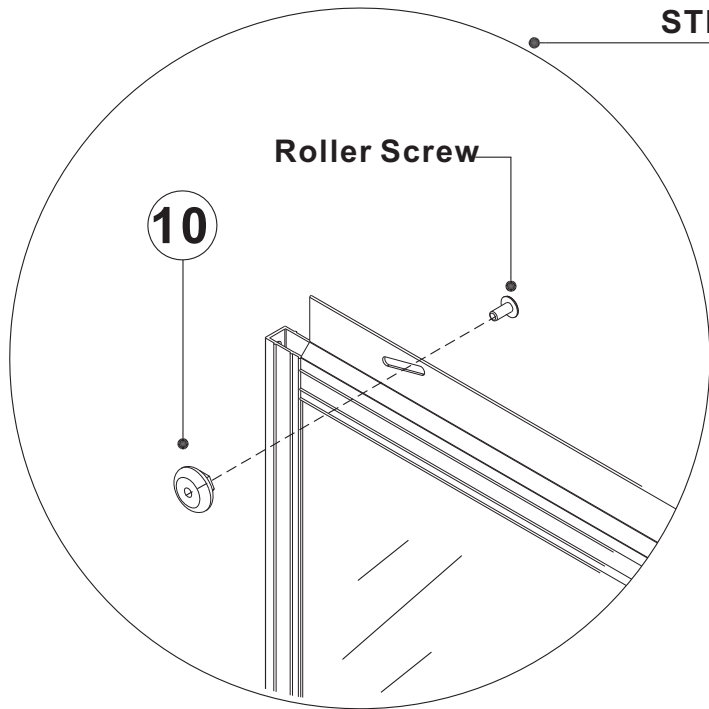
			 FRONT DOOR INSTALL TOWEL BAR BACK DOOR INSTALL HANDLE	
TOP TRACK (1 Pcs)	BOTTOM TRACK (1 Pcs)	WALL JAMB (2 Pcs)	FRONT DOOR and BACK DOOR (2 Pcs)	TOWEL BAR (1 Pcs)
				
SUPPORT TOWEL BAR (2 Pcs)	HANDLE (2 Pcs)	BUMPER GUIDE (2 Pcs)	GUIDE (1 Pcs)	ROLLER (4 Pcs)
 4 x 38mm		 4 x 10mm	 4 x 12mm	 #6-32 x 5/16"
SCREW (6pcs)	WALL PLUG (7 pcs)	SCREW ( 2 pcs)	SCREW ( 4 pcs)	SCREW ( 1 pcs)

## • TOOLS.

	
	
 1/8"    1/4"	
	
	

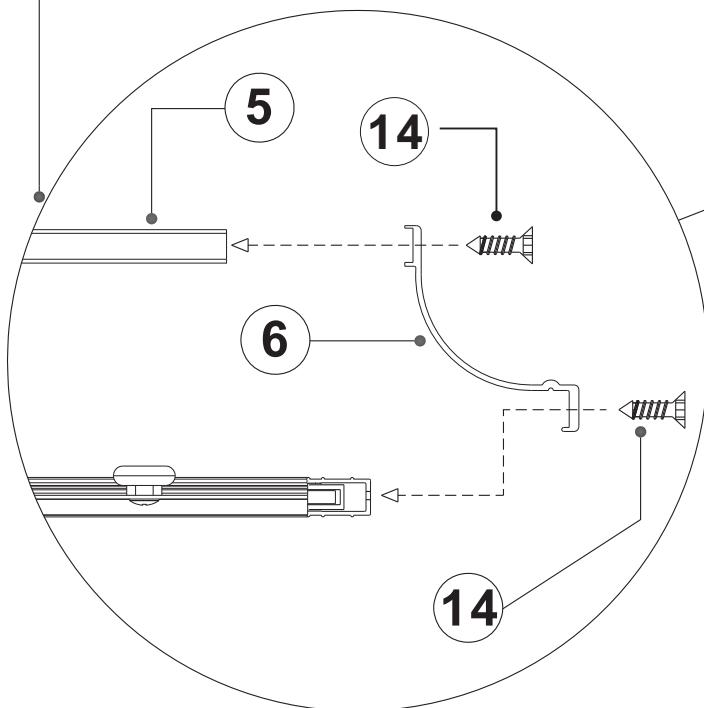
## STEP 1

### INSTALL FRONT DOOR AND BACK DOOR ROLLER

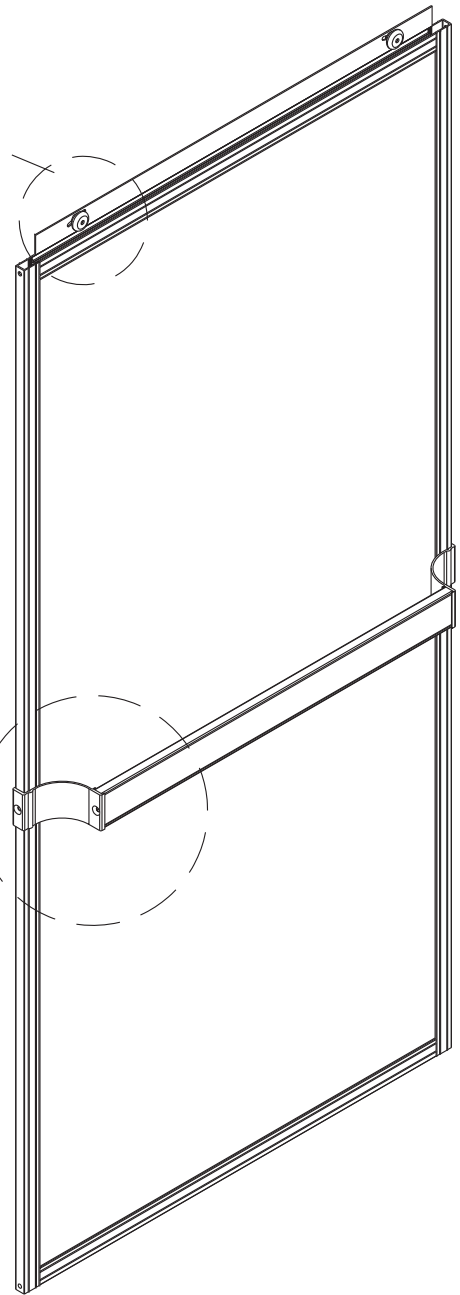


## STEP 2

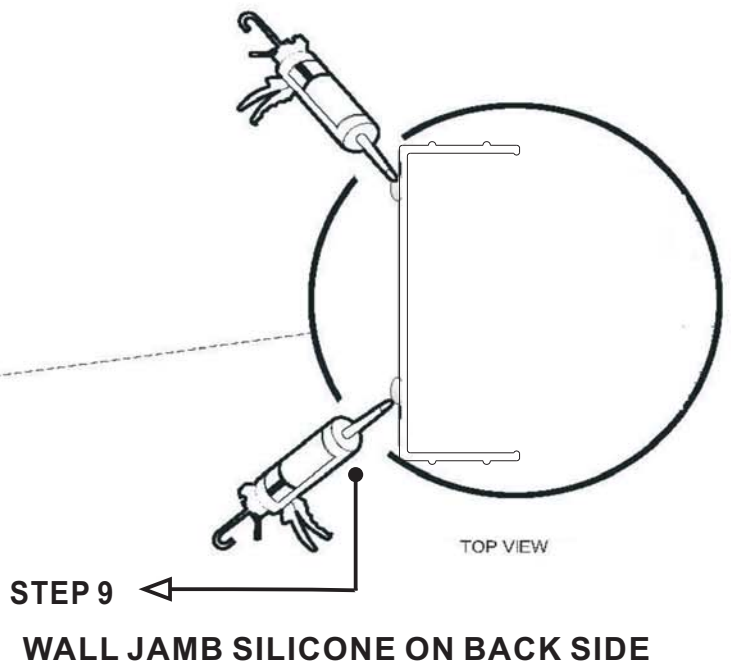
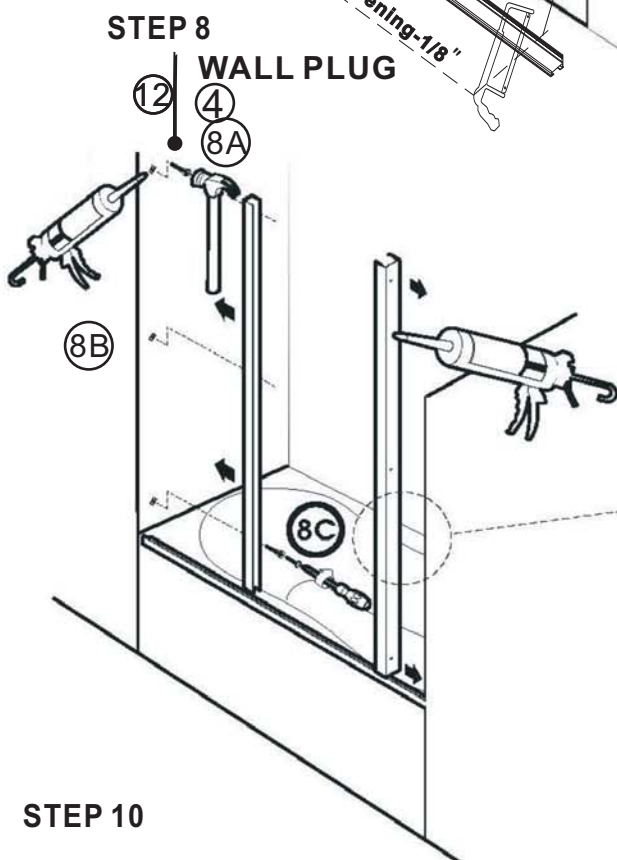
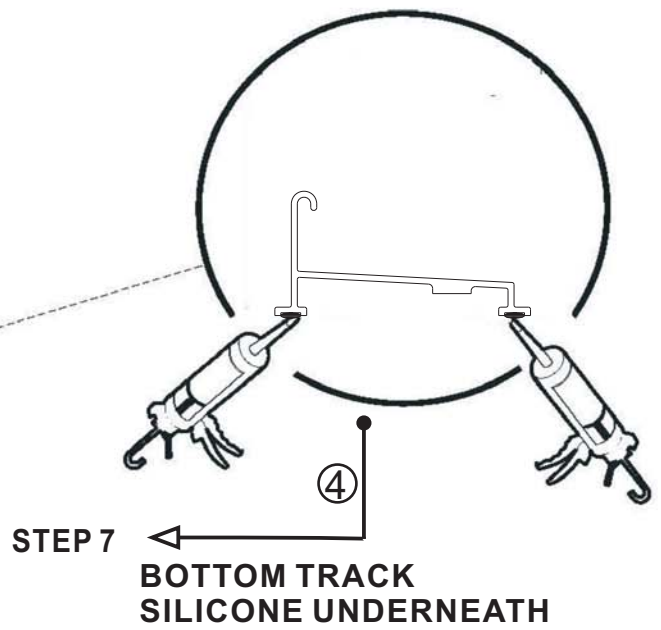
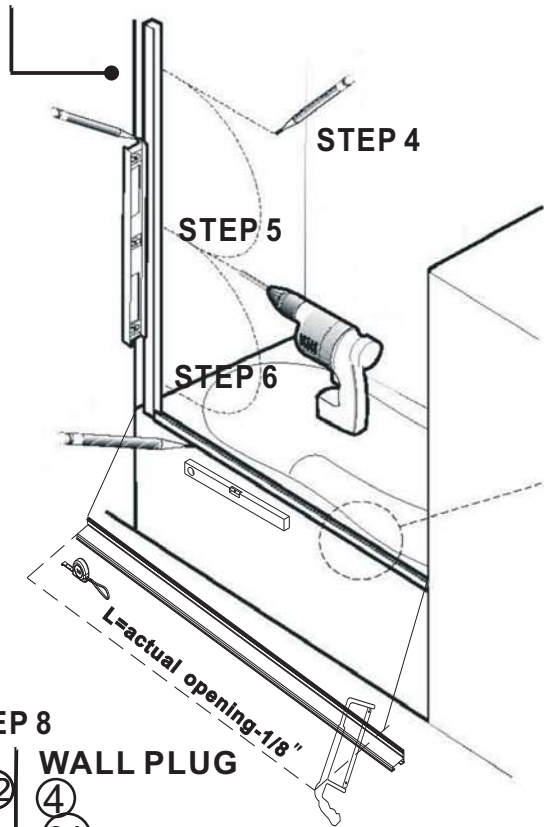
### INSTALL FRONT DOOR TOWEL BAR



TOP VIEW



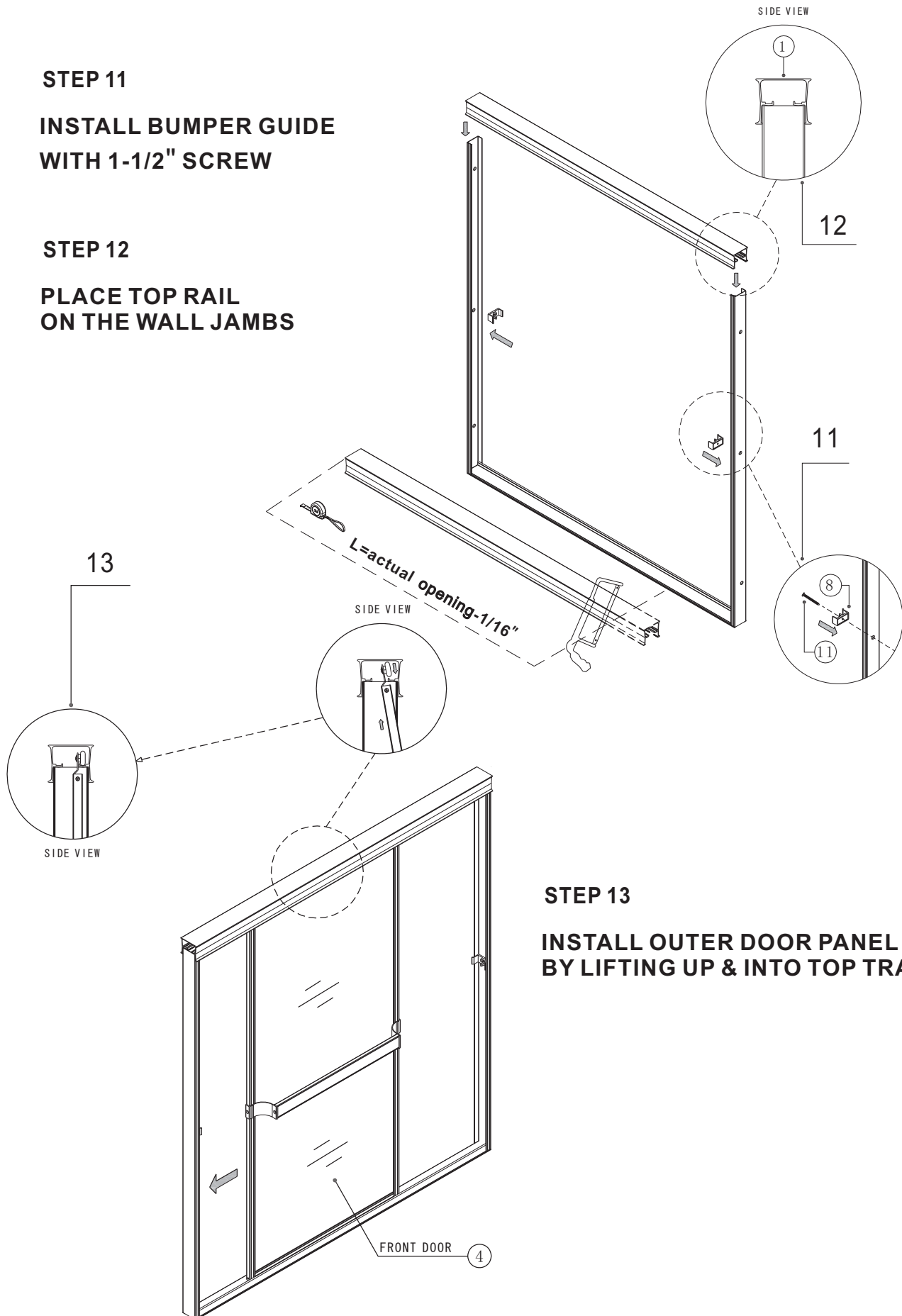
## STEP 3 REPEAT ON BOTH SIDE



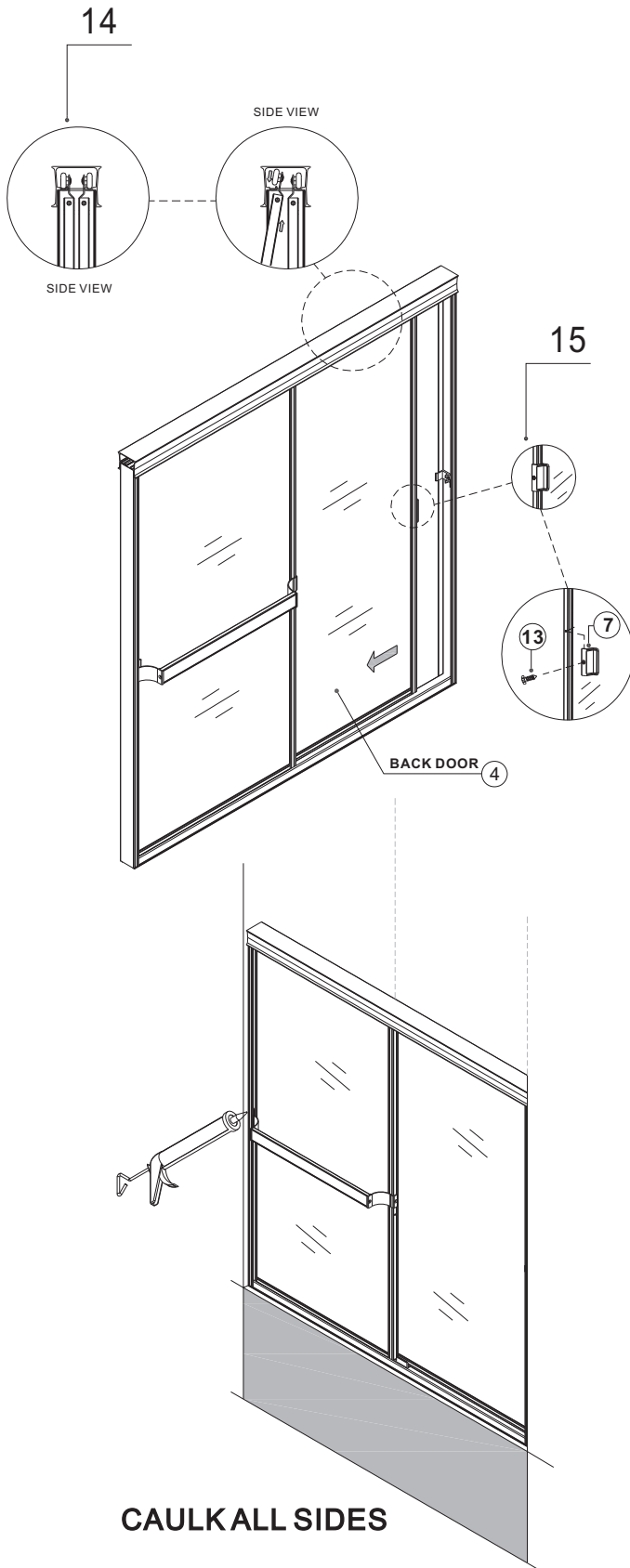
## STEP 10 SCREW 1-1/2" ATTACH BOTH WALL JAMBS

**STEP 11**  
**INSTALL BUMPER GUIDE**  
**WITH 1-1/2" SCREW**

**STEP 12**  
**PLACE TOP RAIL**  
**ON THE WALL JAMBS**



**STEP 13**  
**INSTALL OUTER DOOR PANEL**  
**BY LIFTING UP & INTO TOP TRACK**



## STEP 14

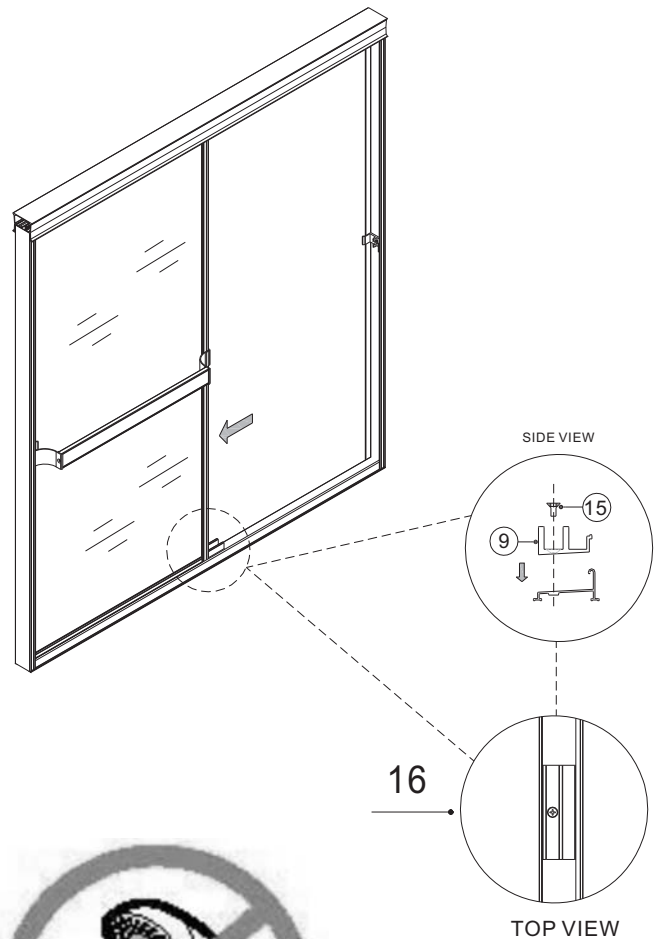
INSTALL INNER DOOR PANEL BY LIFTING UP & TOP TRACK

## STEP 15

INSTALL HANDLE WITH 3/8" SCREW LEFT AND RIGHT

## STEP 16

INSTALL GUIDE WITH 5/16" SCREW



**24** Hours