

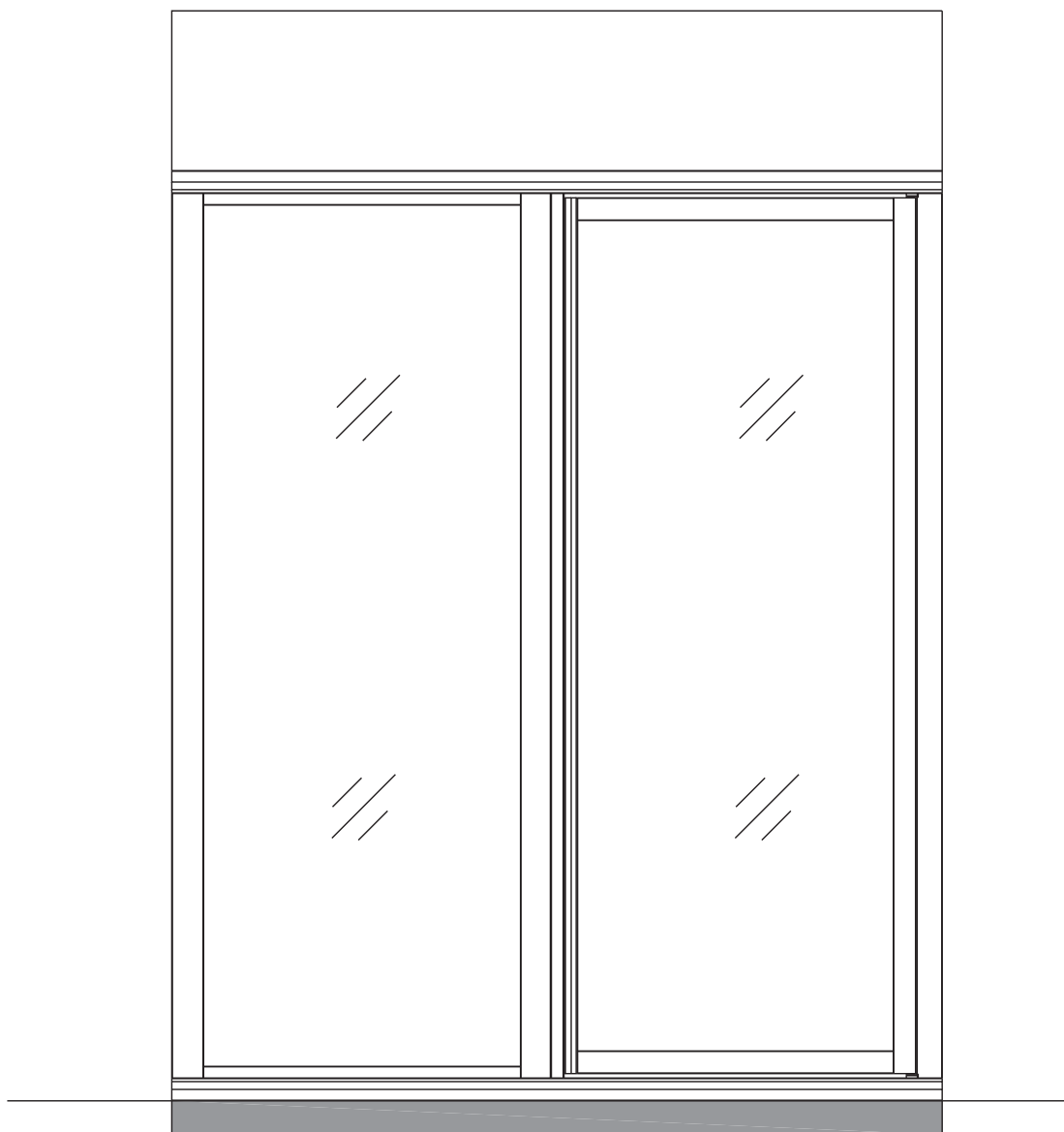
# TIDES DOOR AND PANEL

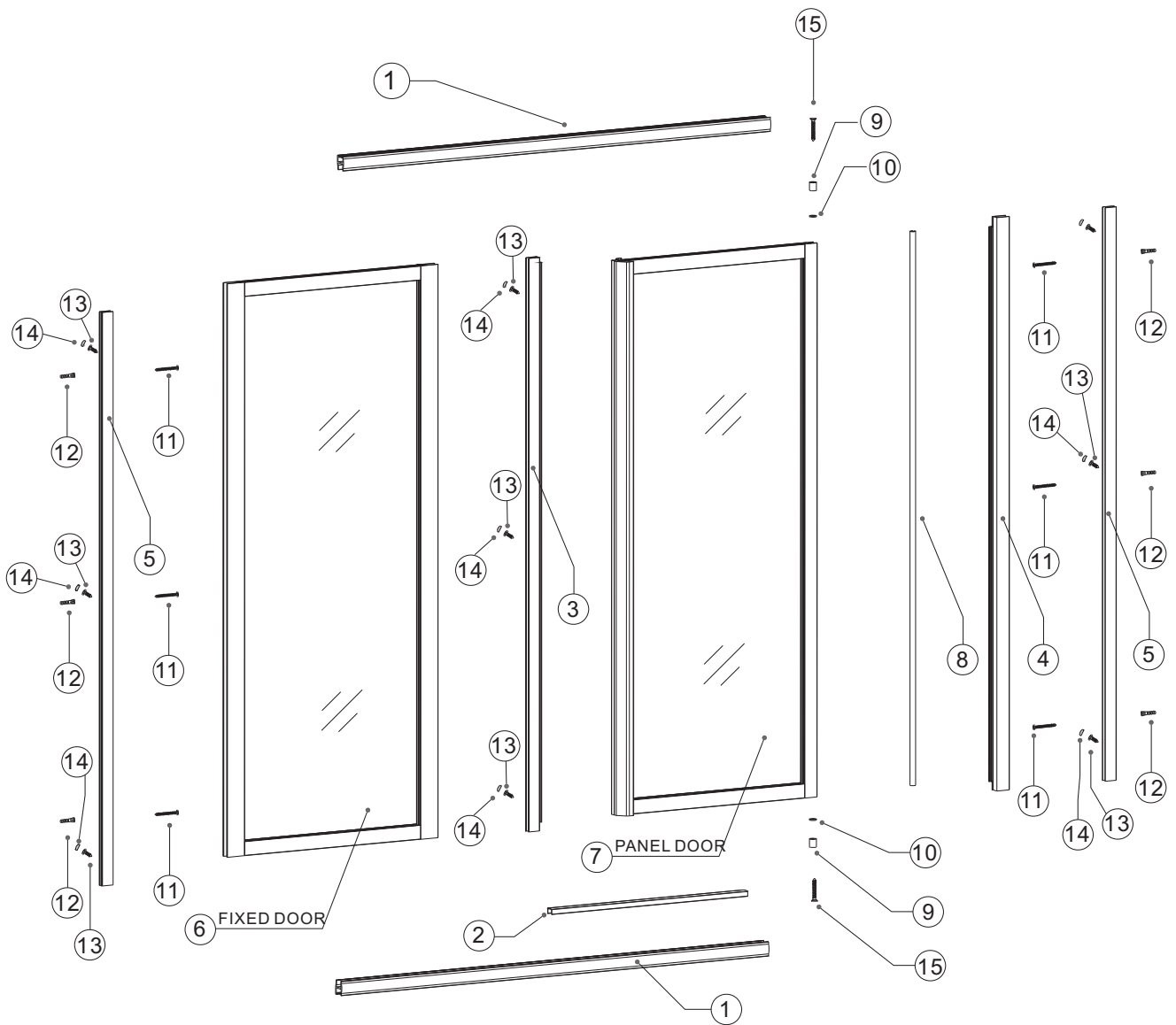
## Installation Manual

**IMPORTANT:** Record the Model No.(see carton) of your tub or shower enclosure for future reference.

Model No. \_\_\_\_\_

**READ THE INSTRUCTIONS CAREFULLY,** familiarize yourself with all the parts as shown in the exploded view. The exploded view will also provide a helpful reference when relating the the location of the various parts and how they are mounted.





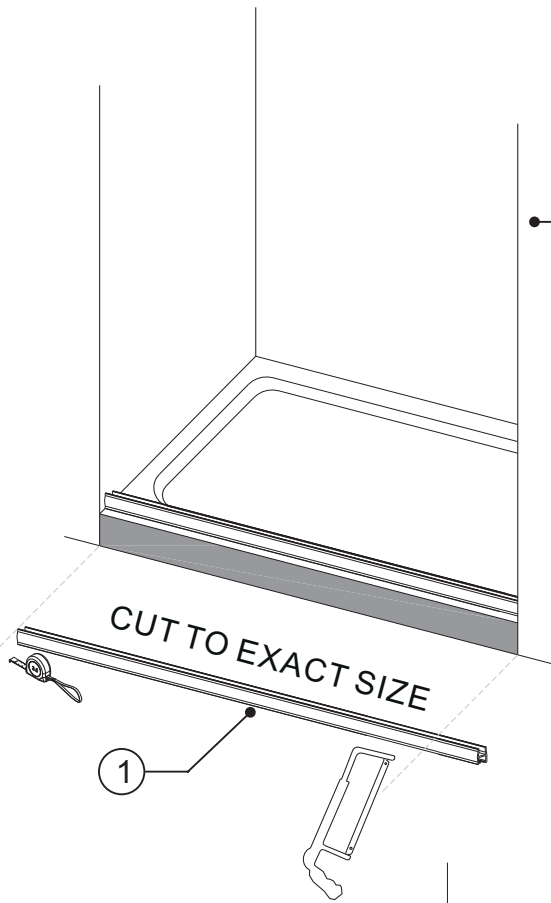
## • PART LIST.

TOP / BOTTOM TRACK (2 Pcs)	BOTTOM TRACK CAP (1 Pcs)	MAGNET JAMBA (1 Pcs)	PIVOT JAMBA (1 Pcs)	WALL JAMBA (2 Pcs)
FIXED DOOR (1 Pcs)	PANEL DOOR (1 Pcs)	PLASTIC PIVOT (1 Pcs)	Bushing (2 Pcs)	GASKET (2 Pcs)
4 x 38mm		4 x 12mm		4 x 35mm
SCREW (6pcs)	WALL PLUG (6 pcs)	SCREW (9pcs)	SCREW CAP (9pcs)	SCREW (1 pcs)

## • TOOLS.

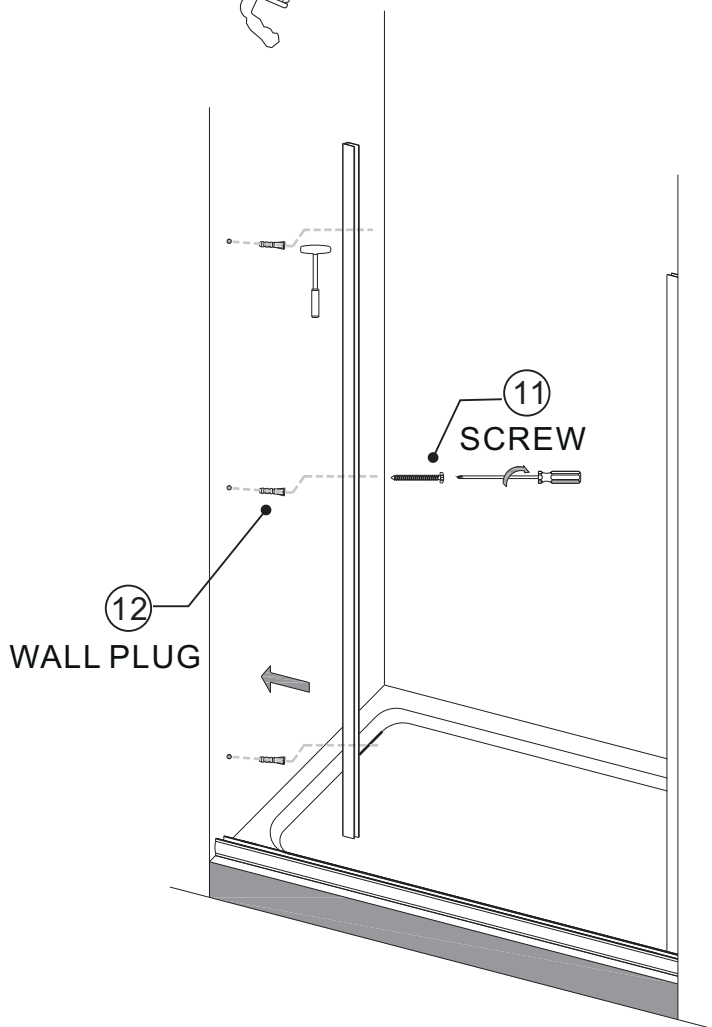
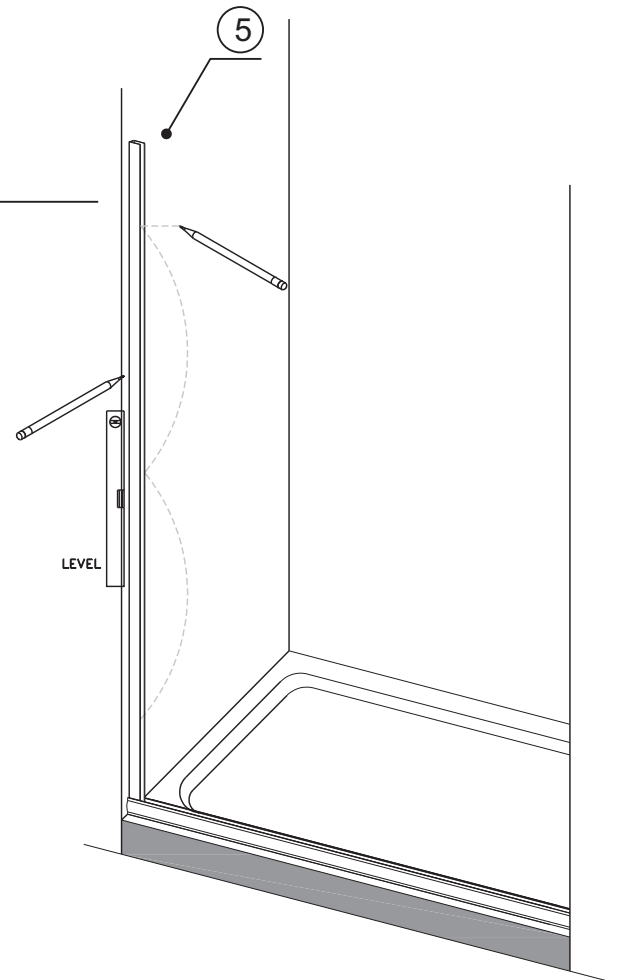

## STEP 1

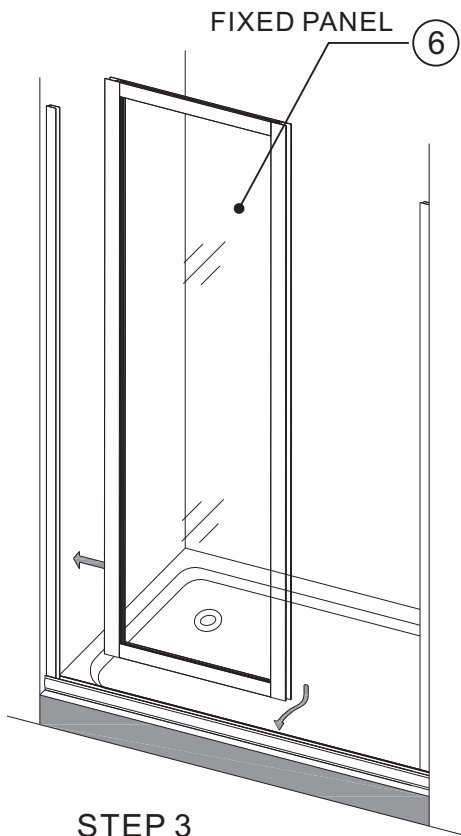
INSTALL BOTTOM TRACK



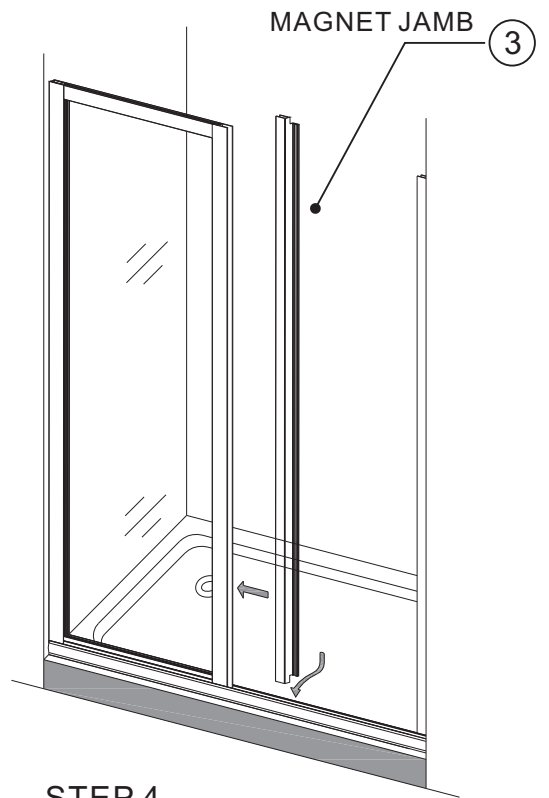
## STEP 2

INSTALL LEFT & RIGHT WALL JAMB

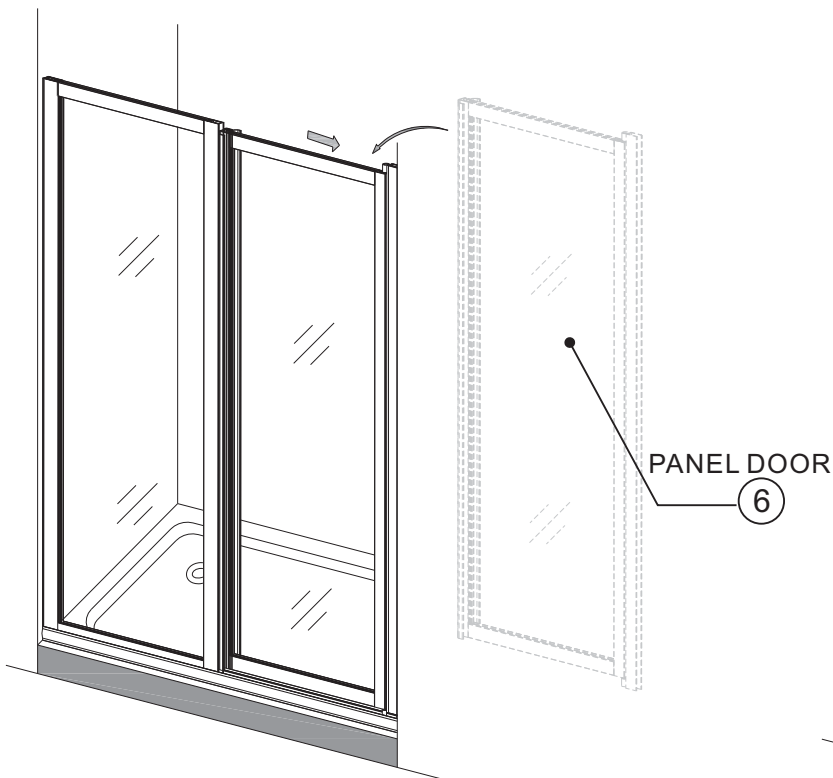




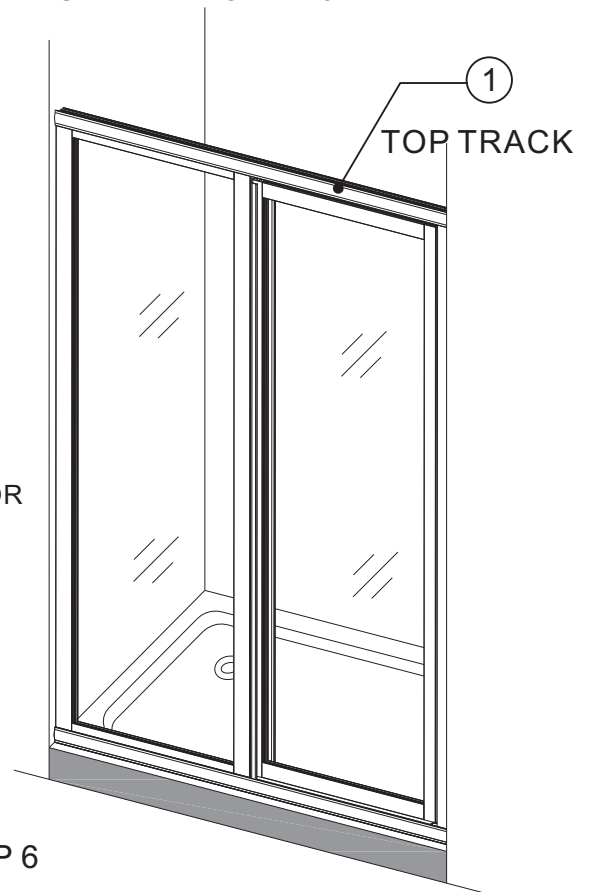
STEP 3  
INSTALL FIXED PANEL



STEP 4  
INSTALL MAGNET JAMB



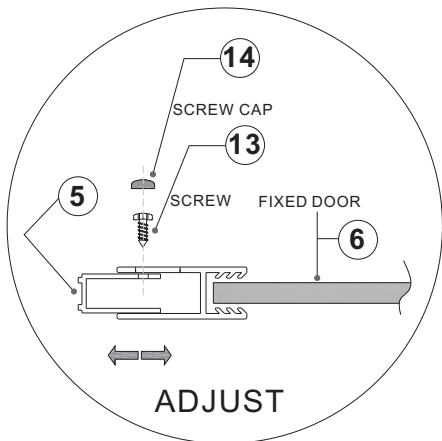
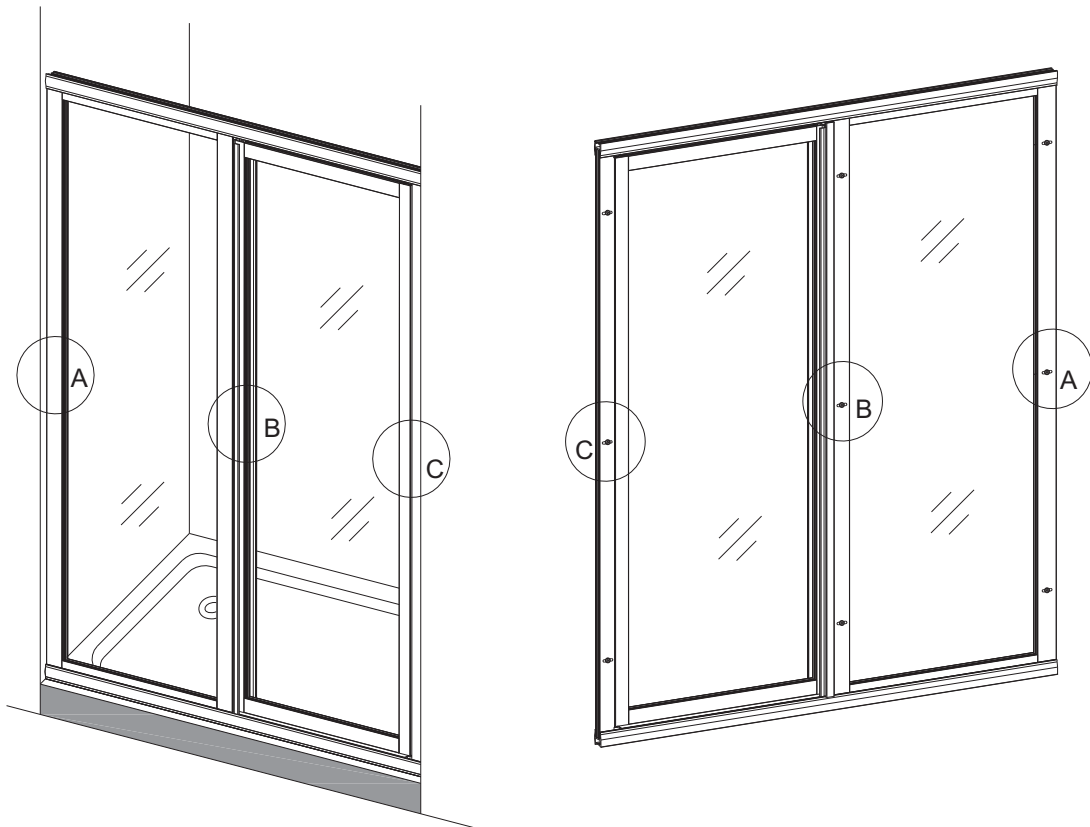
STEP 5  
INSTALL DOOR PANEL



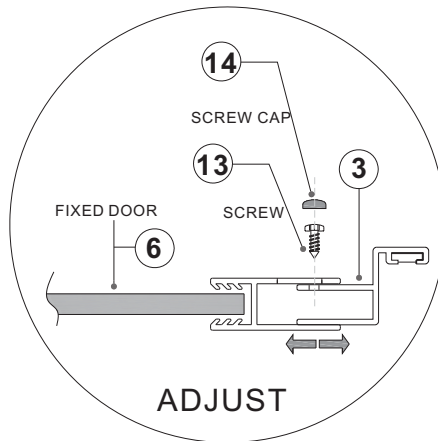
STEP 6  
INSTALL TOP TRACK

## STEP 7 INSTALL SCREW AND SCREW CAP

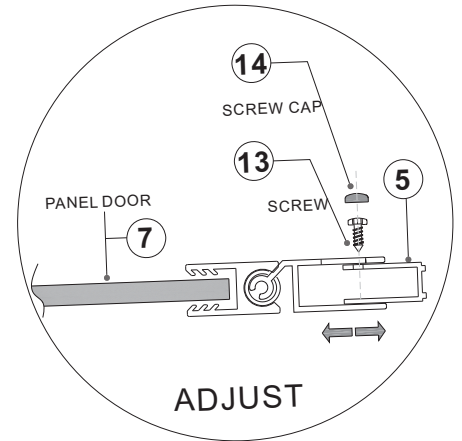
AFTER A,B,C ADJUSTMENT, TIGHTEN SCREW #14 ON ALL PIECES THROUGH SLOTS AND INTO HOLES, COVER WITH SCREW CAPS #14



DETAILED - A  
SIDE VIEW



DETAILED - B  
SIDE VIEW



DETAILED - C  
SIDE VIEW



**24** Hours



**CAULK ALL SIDES**

**STEP 8**

**INSTALL BOTTOM CAP OVER EXPOSED THRESHOLD UNDER DOOR**

