

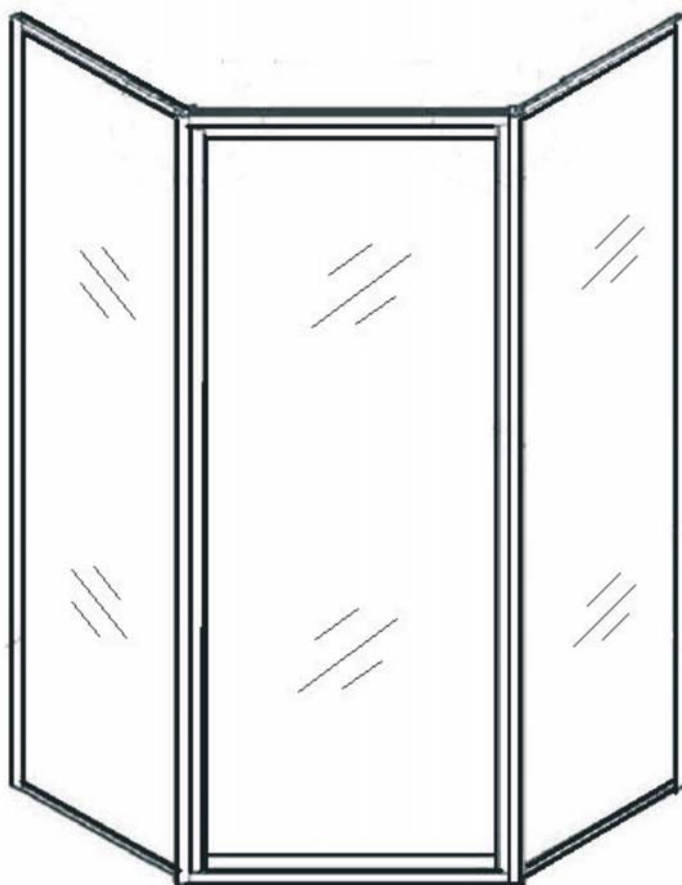
TIDES NEO-ANGLE

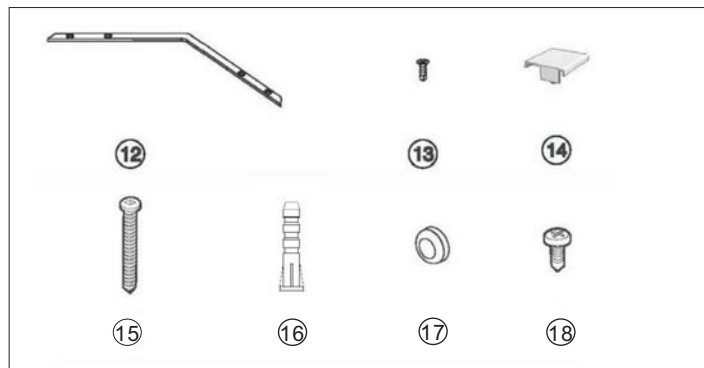
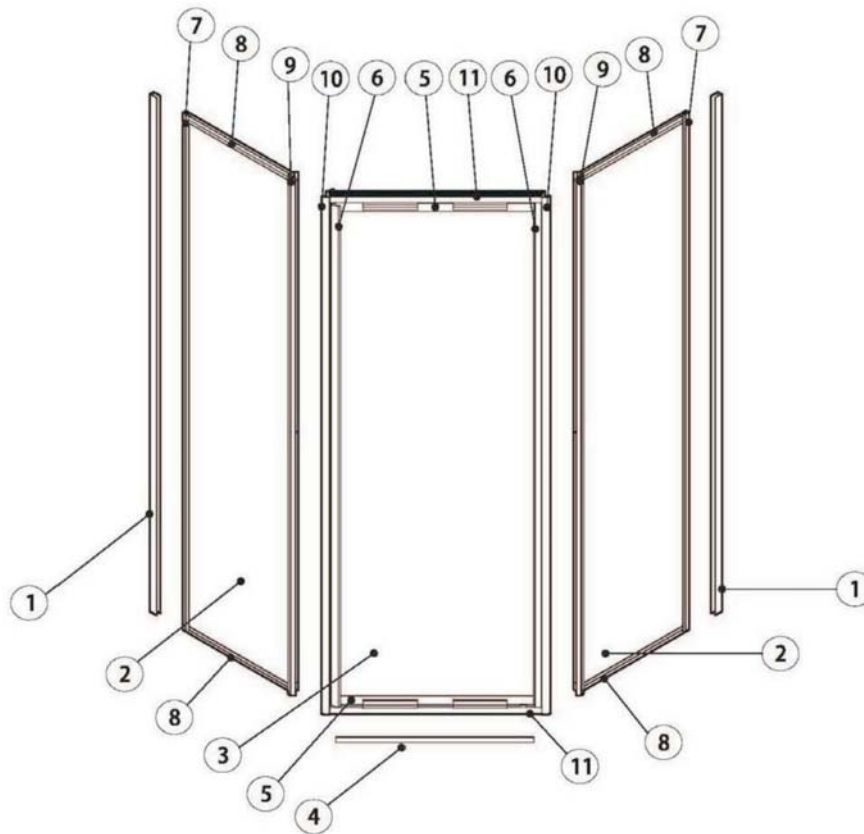
Installation Manual

IMPORTANT: Record the Model No.(see carton) of your tub or shower enclosure for future reference.

Model No. _____

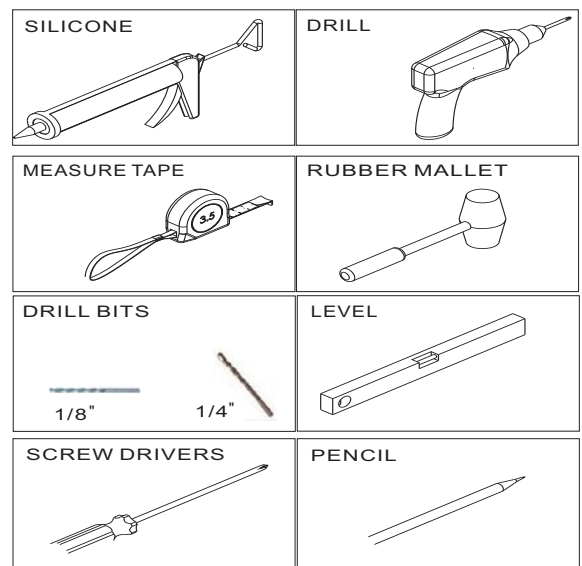
READ THE INSTRUCTIONS CAREFULLY, familiarize yourself with all the parts as shown in the exploded view. The exploded view will also provide a helpful reference when relating to the location of the various parts and how they are mounted.

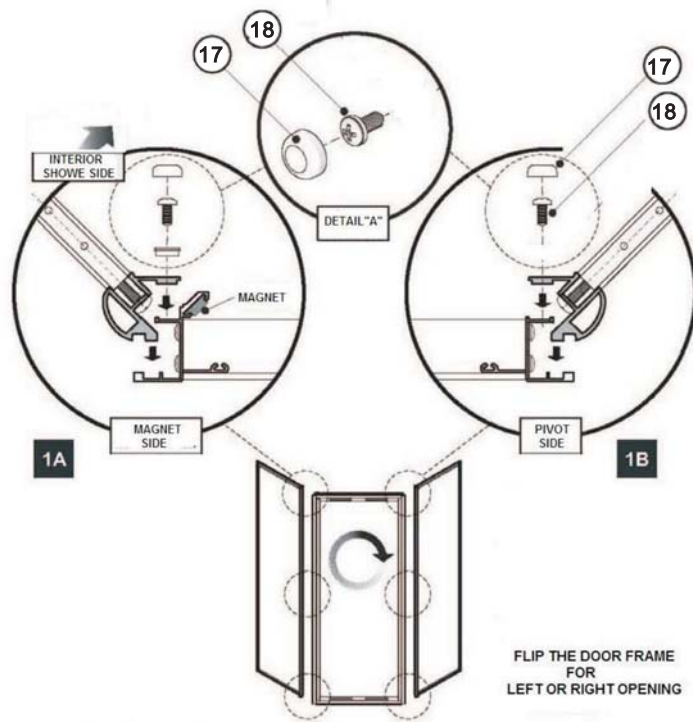




ITEM	PARTS LIST	QTY
1	WALL JAMB	2
2	FIXED PANEL	2
3	DOOR PANEL	1
4	SPLASH GUARD	1
5	FRAMED VERTICAL DOOR PANEL	2
6	FRAMED HORIZONTAL FIXED PANEL	2
7	FRAMED VERTICAL FIXED PANEL	2
8	FRAMED HORIZONTAL FIXED PANEL	4
9	FRAMED CONNECTOR FIXED PANEL	2
10	FRAMED VERTICAL SUPERIER FOR DOOR PANEL	2
11	FRAMED HORIZONTAL SUPERIER FOR DOOR PANEL	2
12	ANGLE DE RENFORT	2
13	SCREW 4x12	8
14	WALL JAMB CAP	4
15	SCREW 4 x 38	6
16	WALL PLUG	6
17	SCREW CAP	6
18	SCREW 4 x 15	6
19		
20		

• TOOLS.

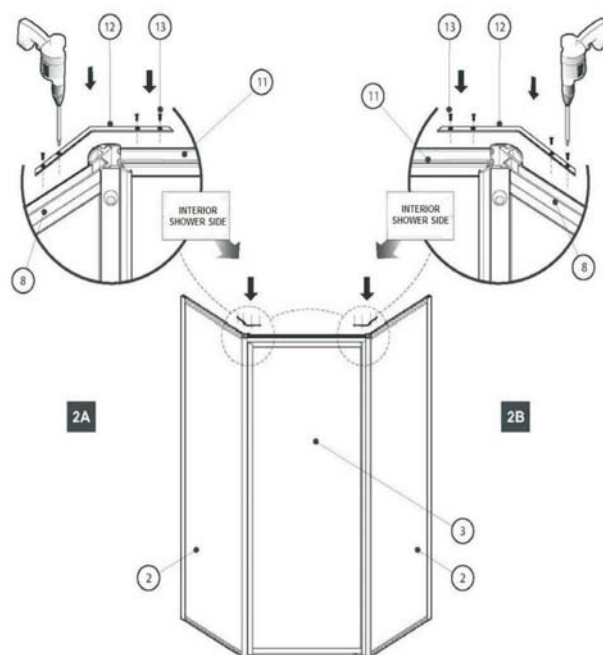




1 INSTALL 1A and 1B

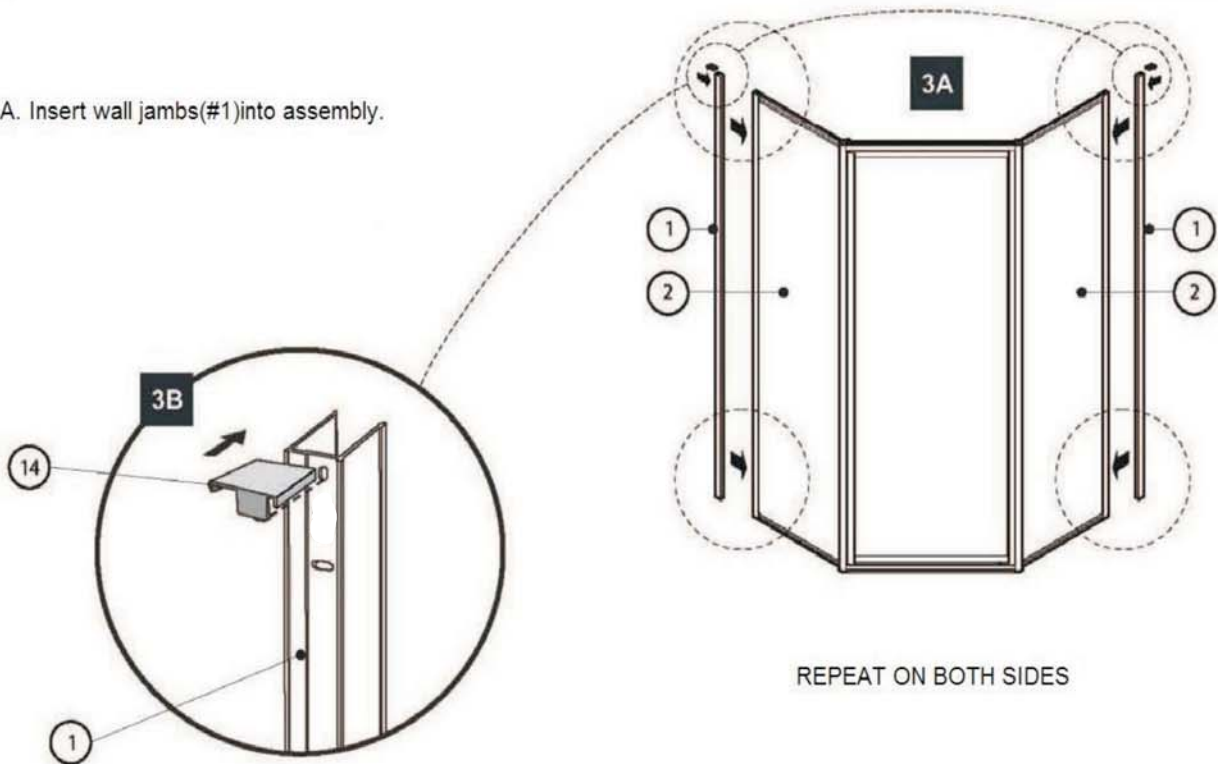
2 REINFORCE THE FRAME

2A-2B Insert angle bracket (#12) into top frame of the side panel (#8) attached to the top door frame (#11), by use screw (#13).



3 WALL JAMBS POSITIONING

3A. Insert wall jambs(#1) into assembly.



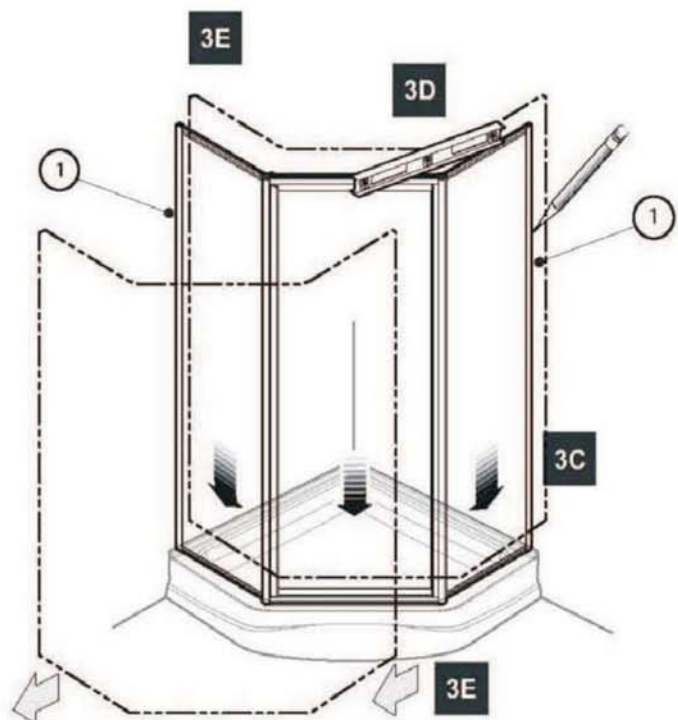
REPEAT ON BOTH SIDES

3B. Insert wall jambs cap(#1)

3C. Positioning and center the frame together with wall jambs(#1) onto threshold of shower base.

3D. Adjust and level the assembly.
Trace outer edge of wall jambs(#1).

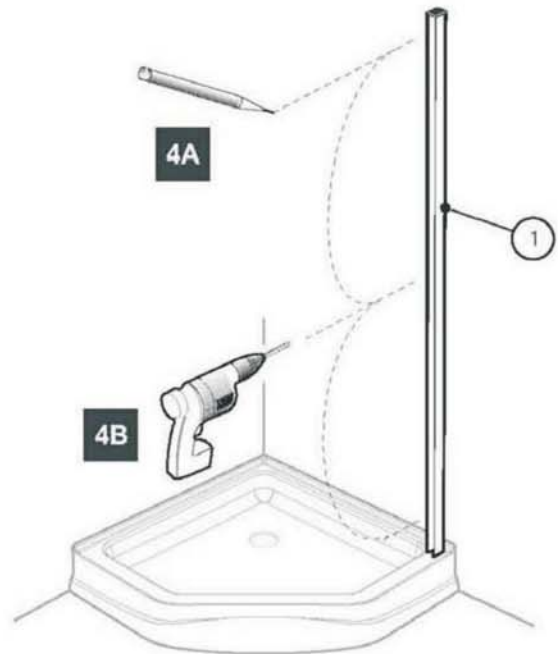
3E. Remove the assembly from base temporarily.



4 INSTALLING WALL JAMBS

4A. Realign wall jamb. Mark drilling location. Remove the wall jamb temporarily(#).

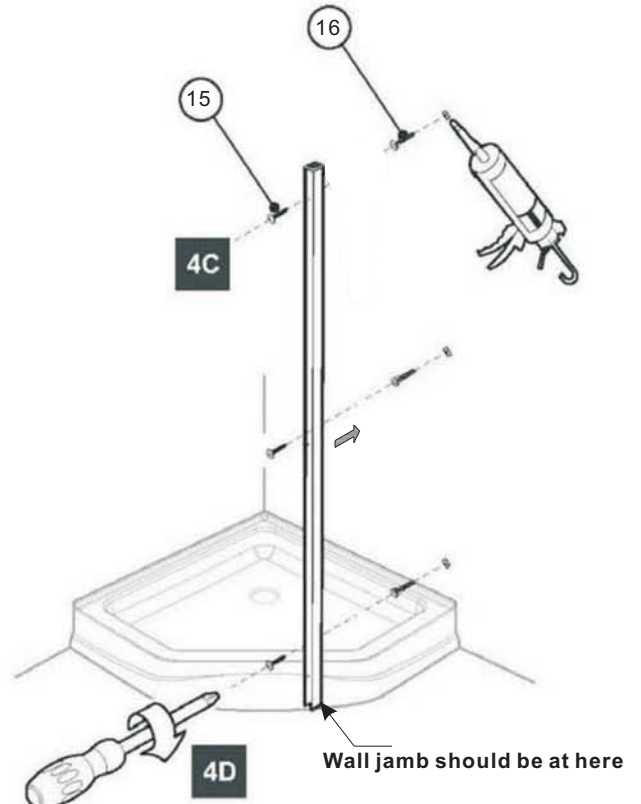
4B. With a 1/4" drill bit, drill 4 holes into the wall using the marks as a guide



REPEAT ON BOTH SIDES

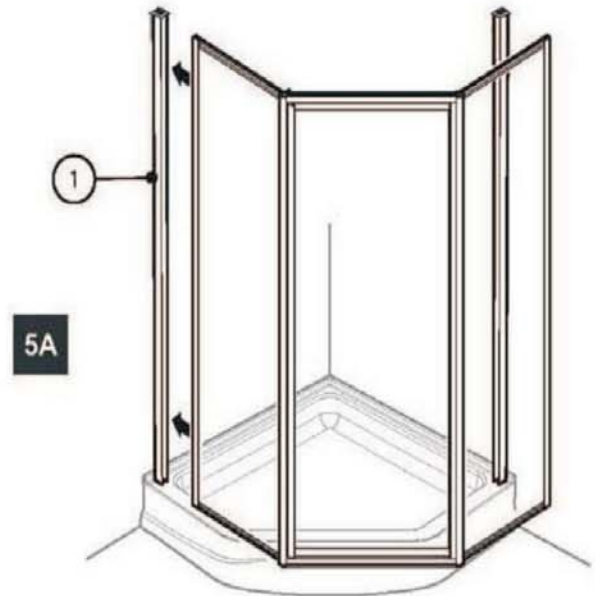
4C. Insert 6 wall plugs(#16) and put in each a drop of silicone.

4D. Fasten wall jamb with screw 4x 38mm (#15)

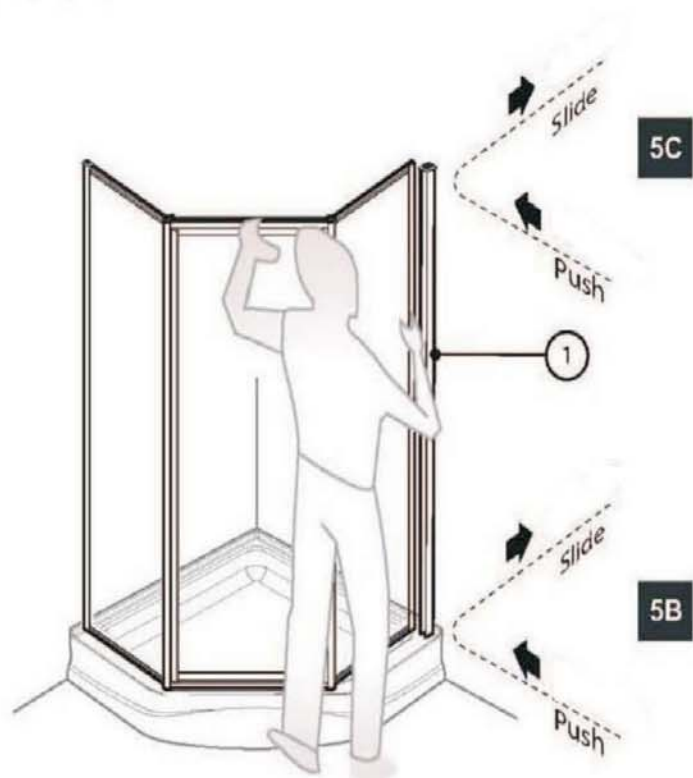


5 INSTALL THE SHOWER DOOR UNIT

5A. Insert one side of assembly into wall-jamb(#1) as shown.



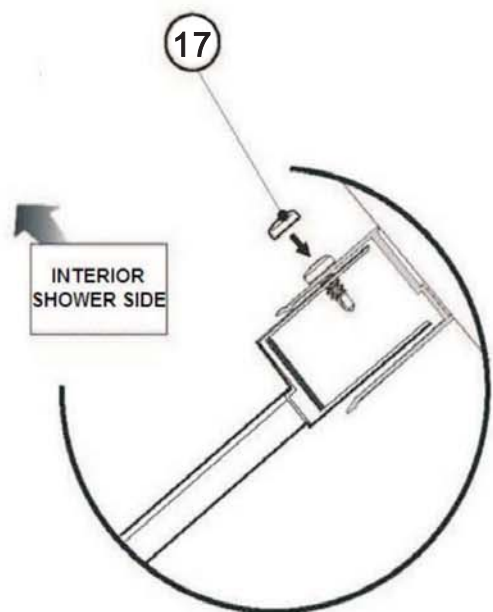
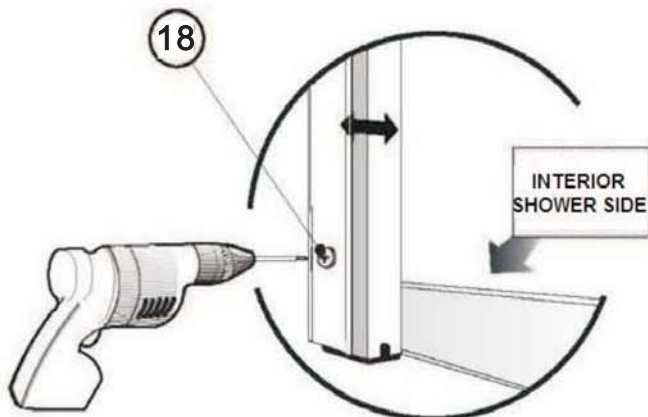
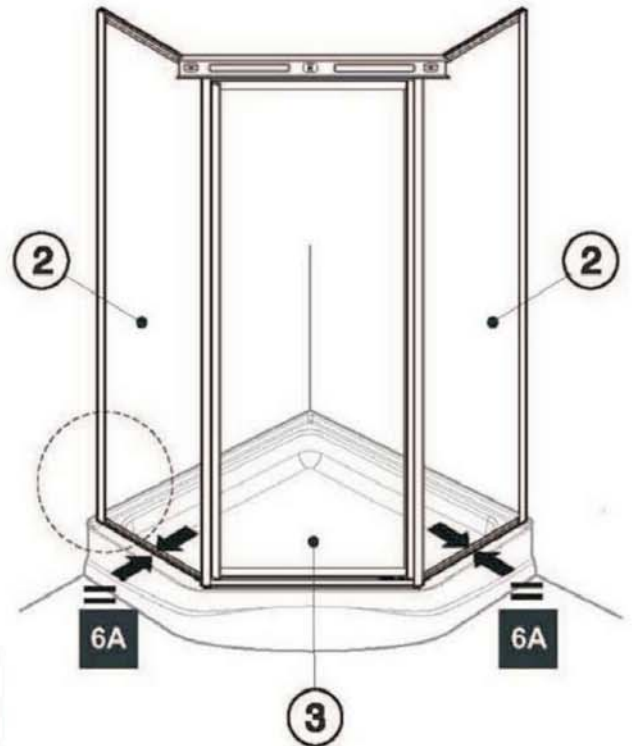
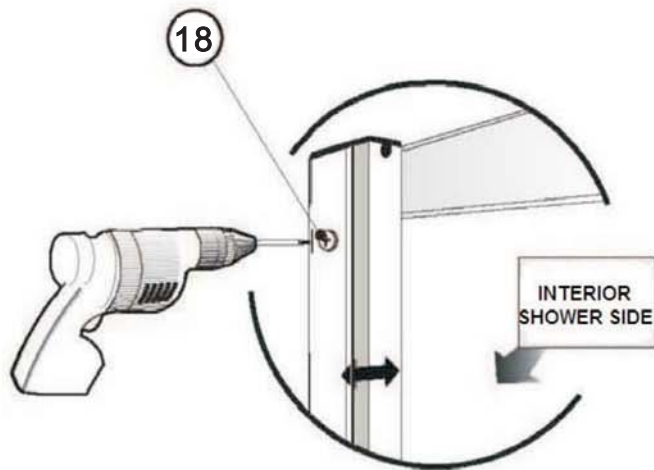
5B-5C. Engage the other side of assembly into wall jamb(#1)



6 SHOWER DOOR ADJUSTMENT

6A. Adjust assembly on the base.

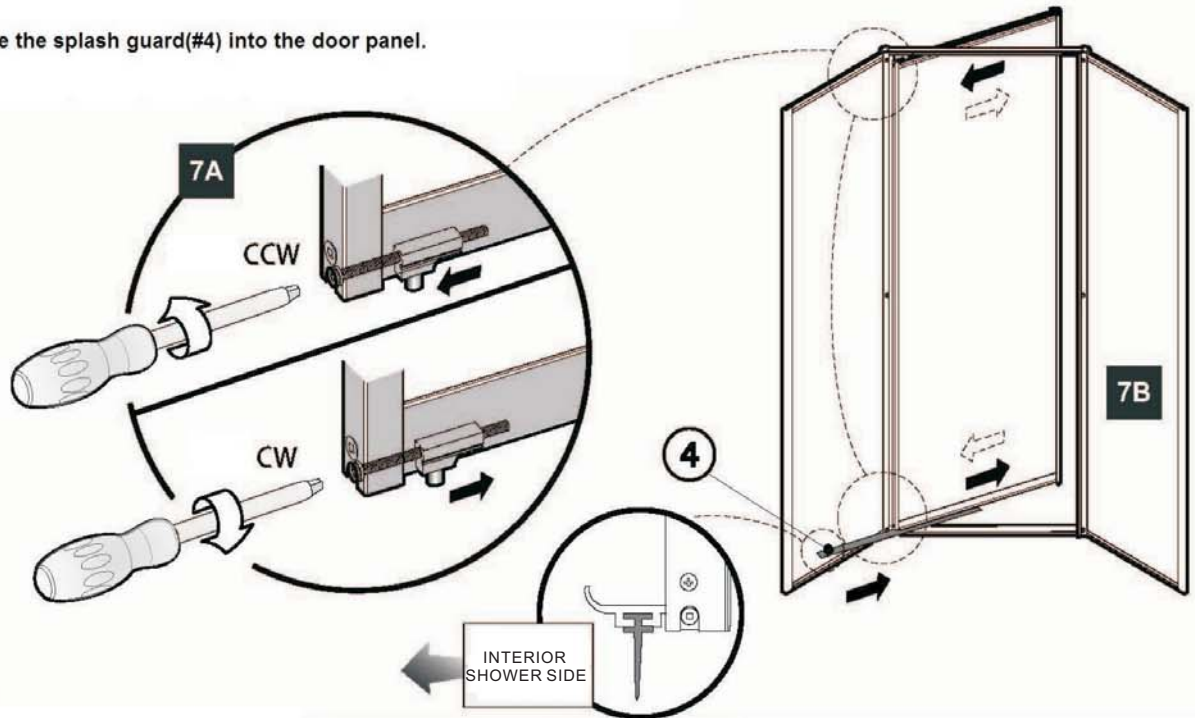
6B. Insert shower assembly into wall-jamb(#1) by securing with screws(#16).



7 SHOWER DOOR ADJUSTMENT

7A. If it is necessary adjust the door panel, with a phillips head screw driver.

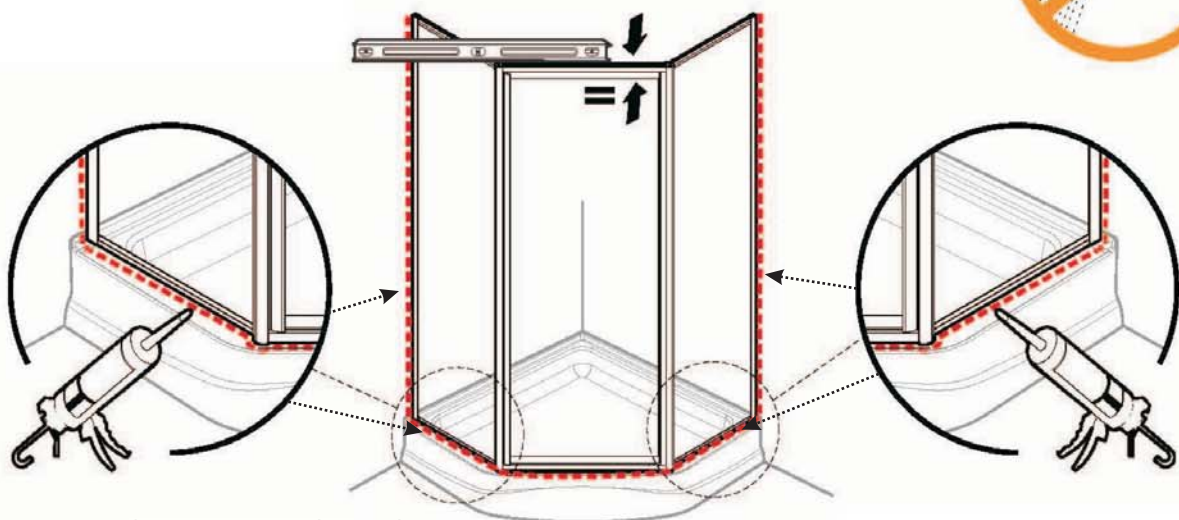
7B. Slide the splash guard(#4) into the door panel.



8 SILICON SEAL THE SHOWER.

8A. Silicone exterior the bottom of the fixed panel(#8) and frame (#11) and along the wall jamba(#1).

24 Hours



CAULK ALL SIDES