

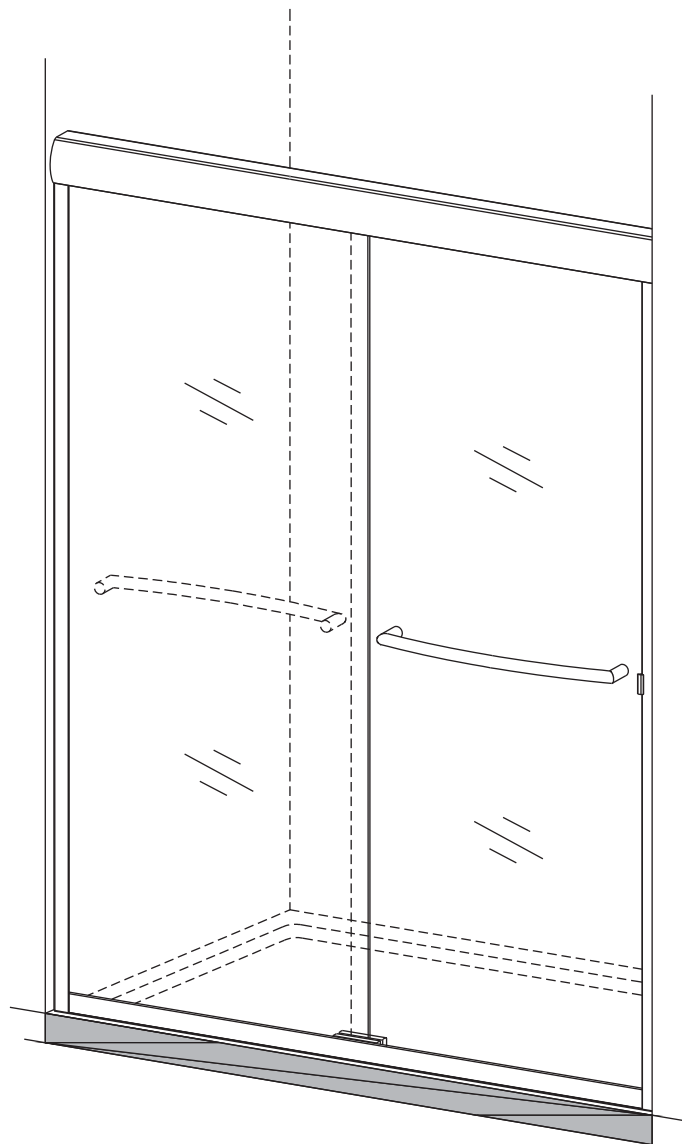
COVE BY-PASS

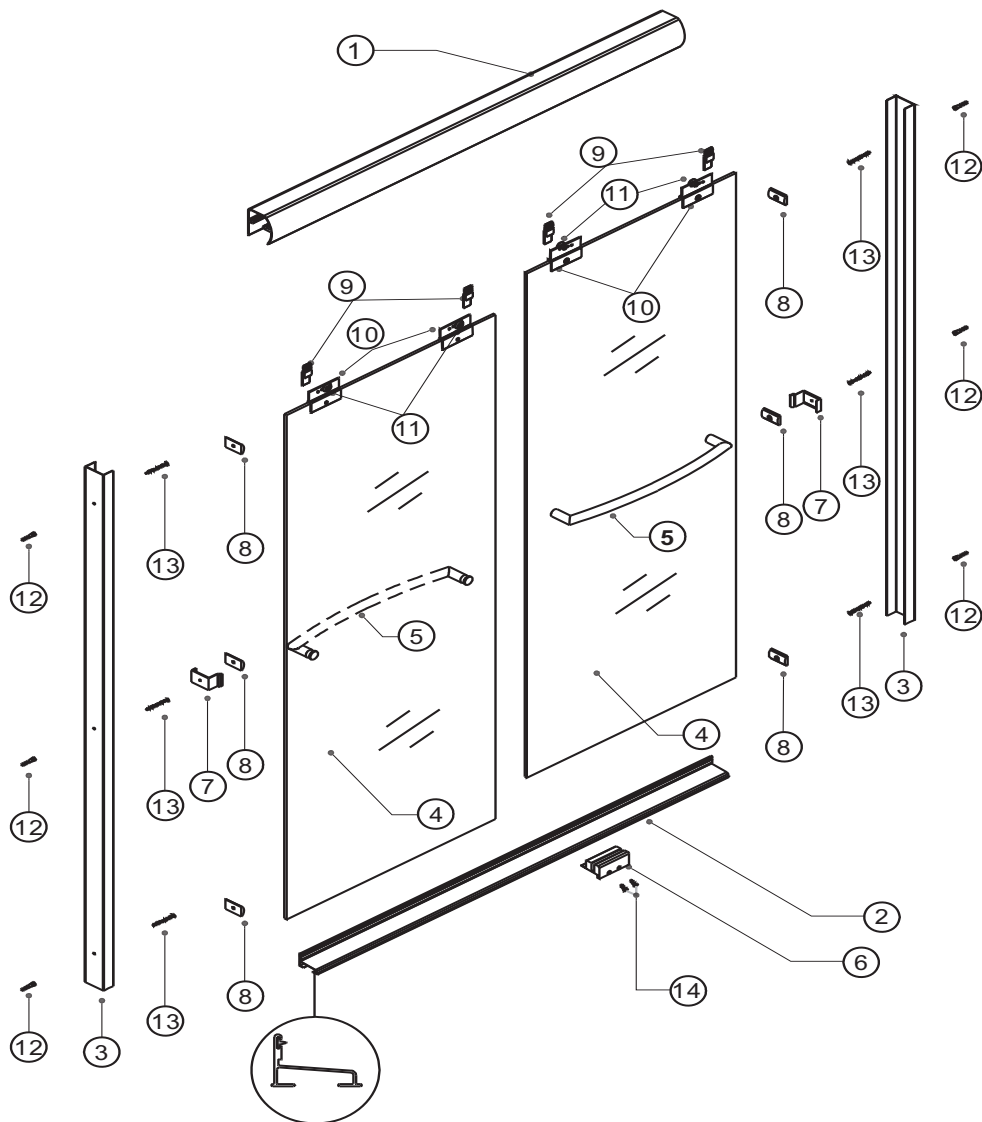
Installation Manual

IMPORTANT: Record the Model No.(see carton) of your tub or shower enclosure for future reference.

Model No. _____

READ THE INSTRUCTIONS CAREFULLY, familiarize yourself with all the parts as shown in the exploded view. The exploded view will also provide a helpful reference when relating to the location of the various parts and how they are mounted.





• PART LIST.

TOP TRACK (1 pcs)	BOTTOM TRACK (1 pcs)	WALL JAMB (2 pcs)	DOOR PANEL (FRONT/BACK)
TOWEL BAR (2 pcs)	GUIDE (1 pcs)	BUMPER GUIDE (2 pcs)	WALL BUMPER (6 pcs)
SAFE SLIDER CLIP(4 pcs)	GLASS HOLDER (4 pcs)	ROLLER (4 pcs)	WALL PLUG (6 pcs)
SCREW (6pcs)	SCREW (2 pcs)	WRENCH (1 pcs)	INSTALL BAR (1 pcs)

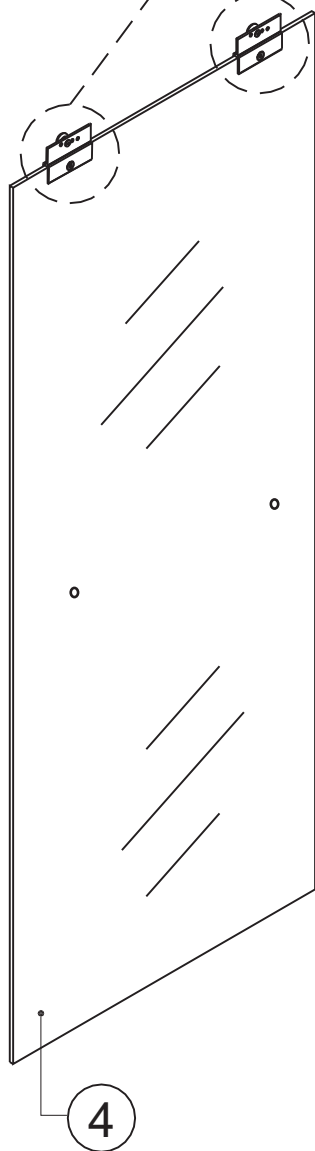
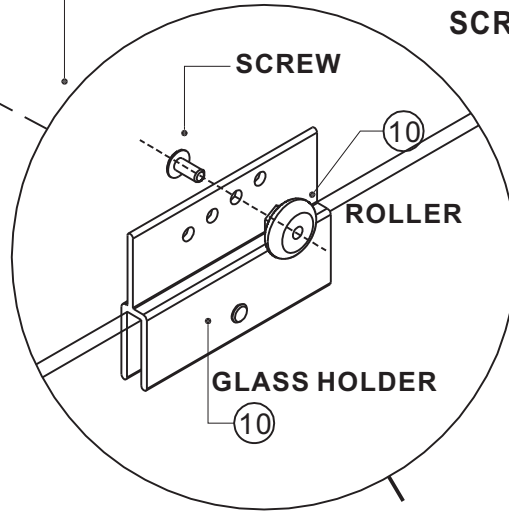
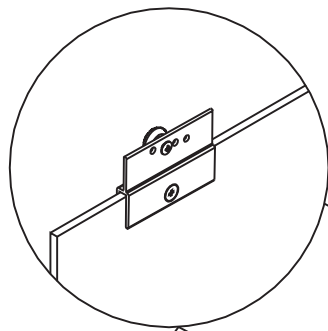
• TOOLS.

SILICONE	DRILL
MEASURE TAPE	RUBBER MALLET
DRILL BITS 1/8" 1/4"	LEVEL
SCREW DRIVERS	PENCIL
HANDSAW	

STEP 1

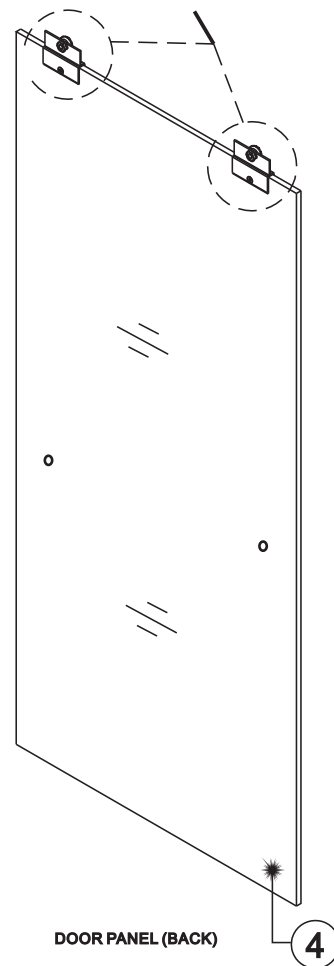
INSTALL ROLLER

NOTE
BE SURE TO MOUNT
ROLLER ON OPPOSITE
SIDE OF HOLDER AS
SCREW HEAD.



STEP 2

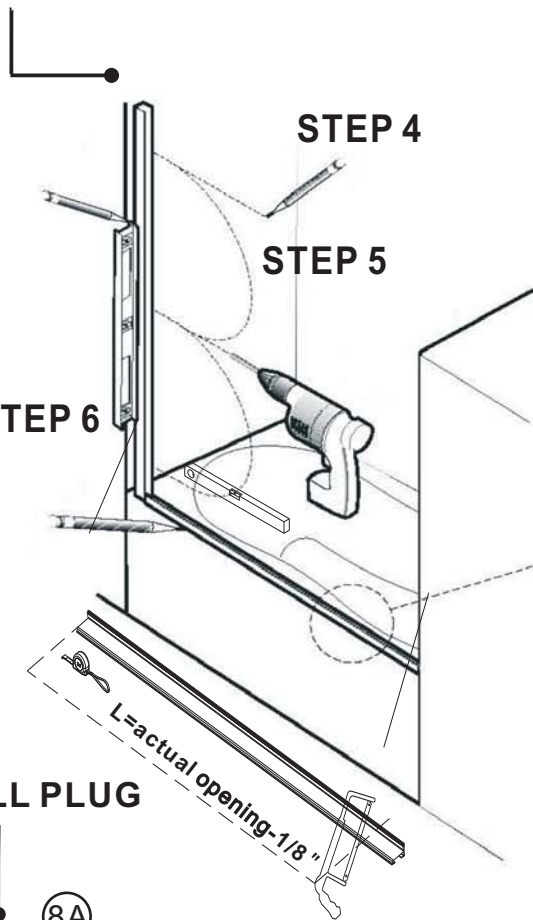
INSTALL ROLLER



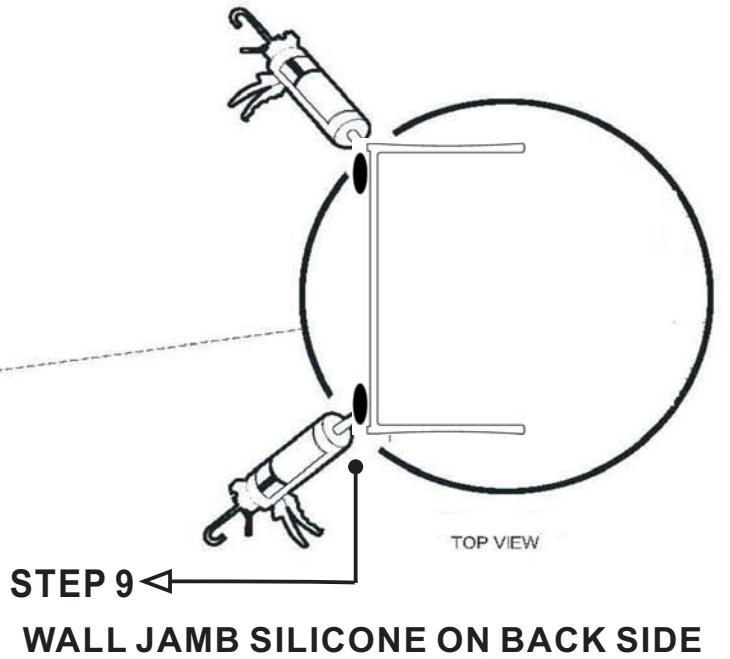
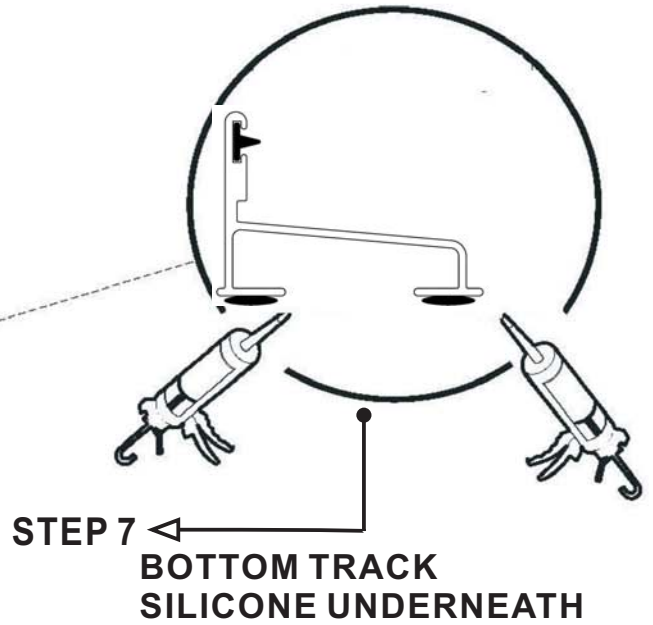
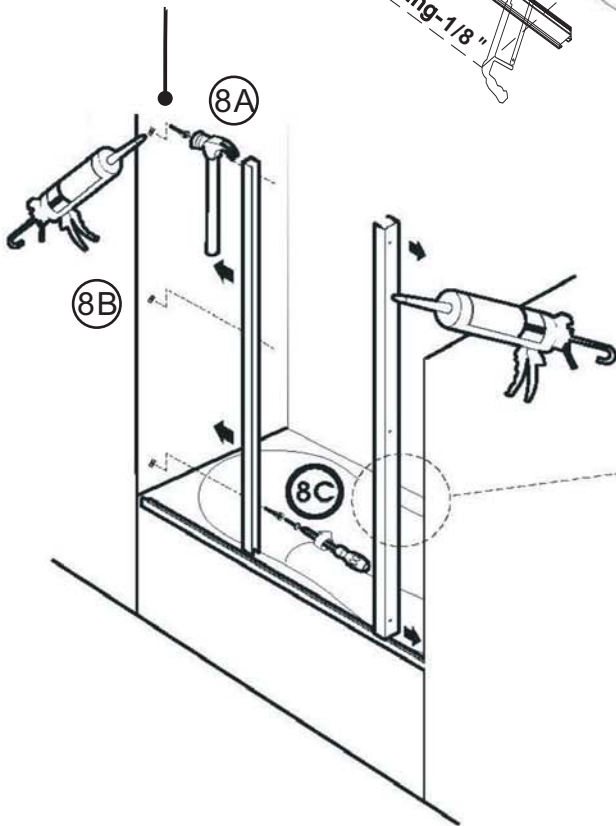
DOOR PANEL (FRONT / BACK)

DOOR PANEL (BACK)

STEP 3 REPEAT ON BOTH SIDE



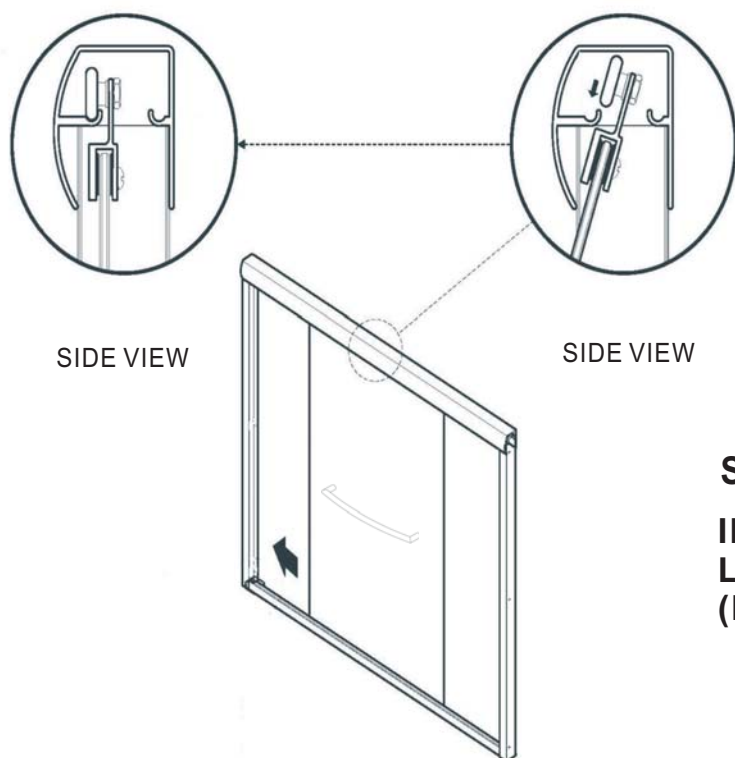
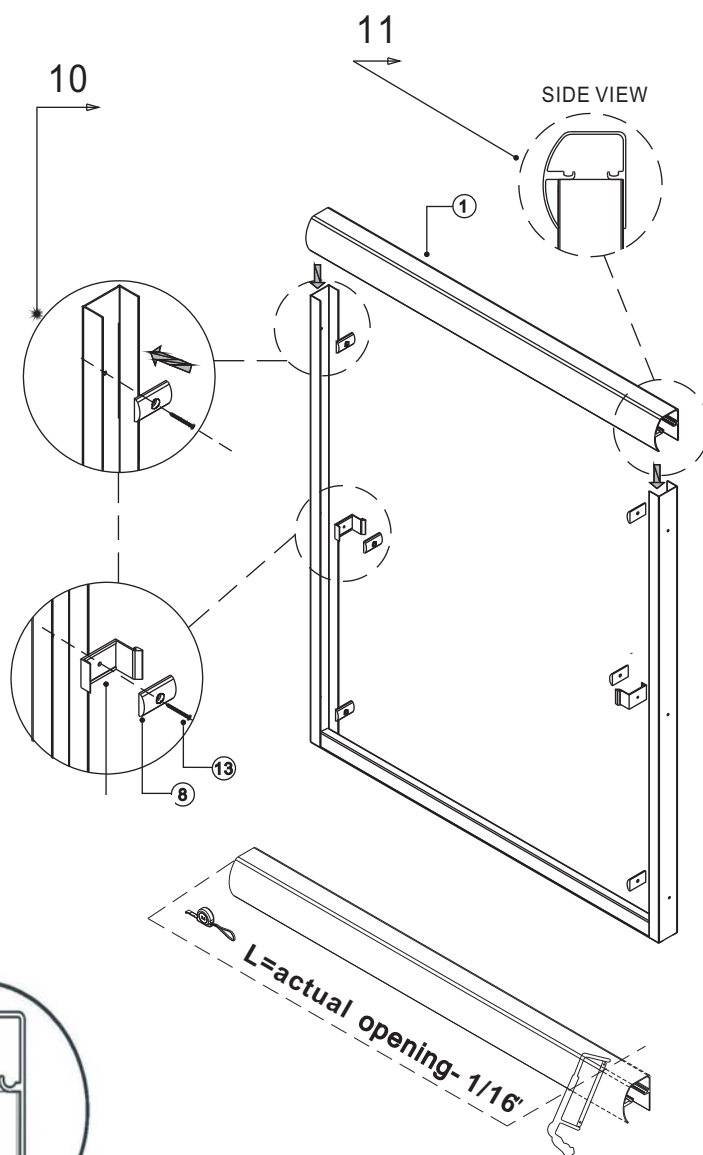
STEP 8 ⑫ WALL PLUG



STEP 10

FASTEN BUMPER GUIDE AND WALL BUMPER ONTO BOTH WALL JAMBS WITH 1-1/2" SCREW

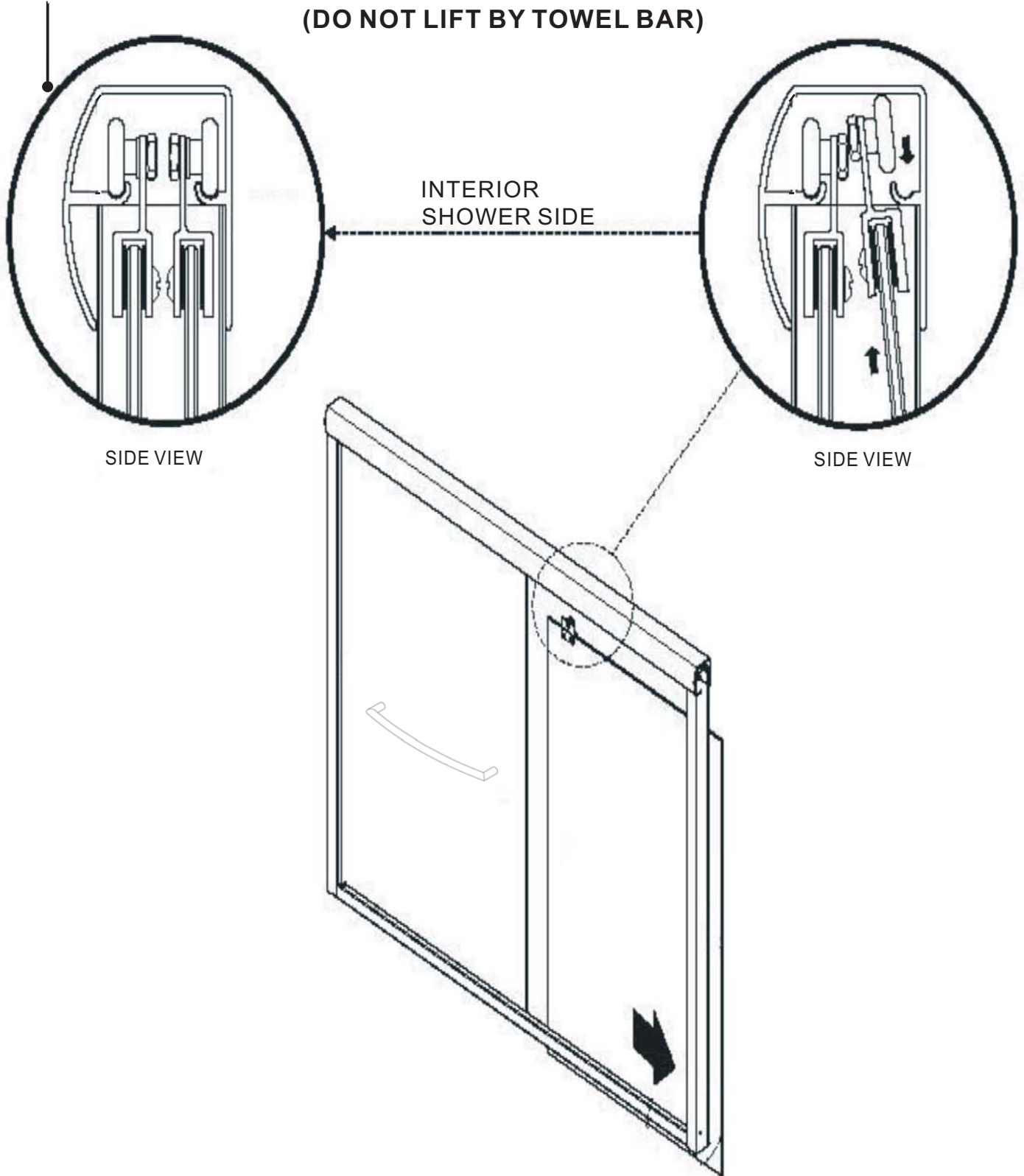
**STEP 11
PLACE TOP RAIL ON THE WALL JAMBS.**

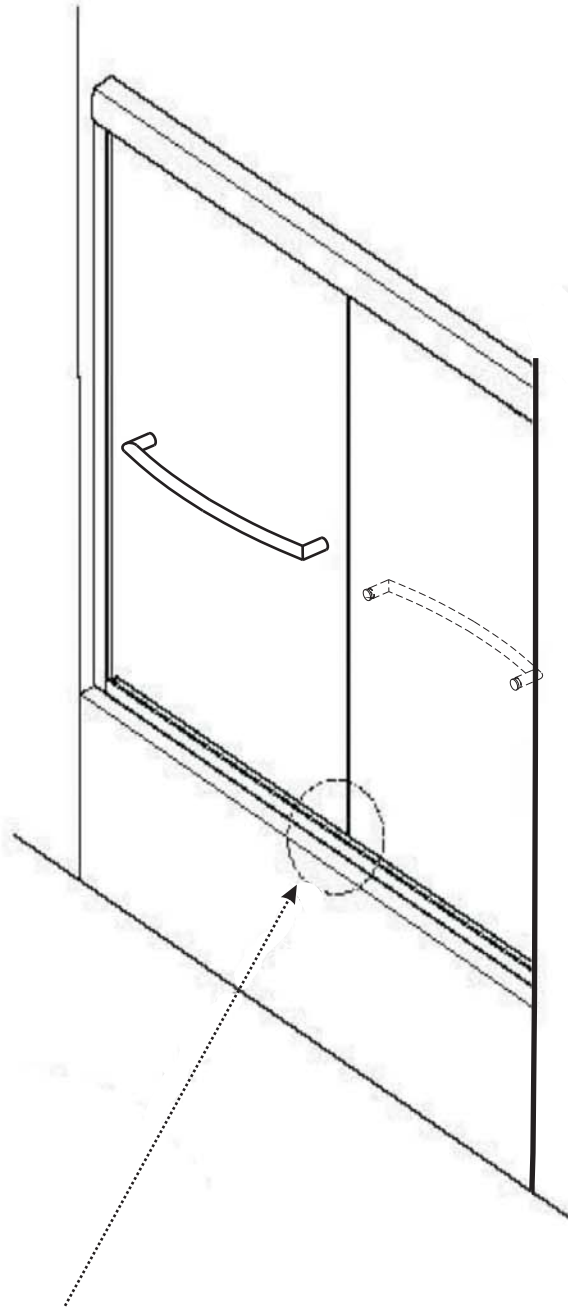


STEP 12

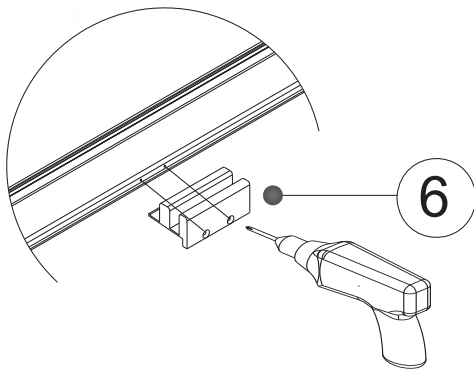
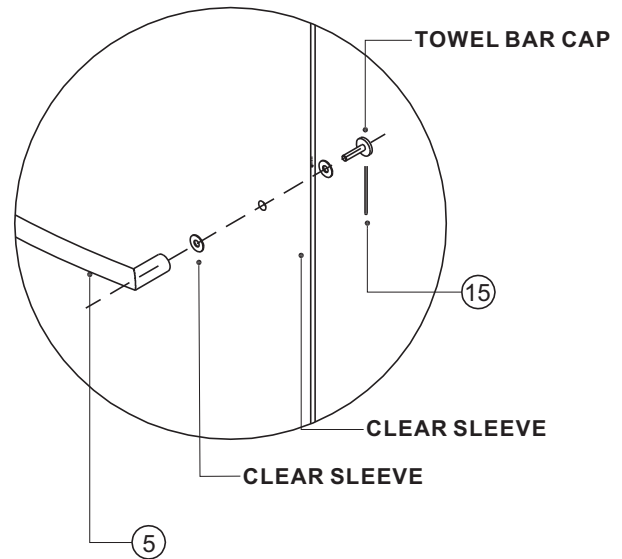
INSTALL OUTER DOOR PANEL BY LIFTING UP & INTO TOP TRACK (DO NOT LIFT BY TOWEL BAR)

STEP 13 **INSTALL INNER DOOR PANEL BY LIFTING UP & INTO TOP TRACK**
(DO NOT LIFT BY TOWEL BAR)

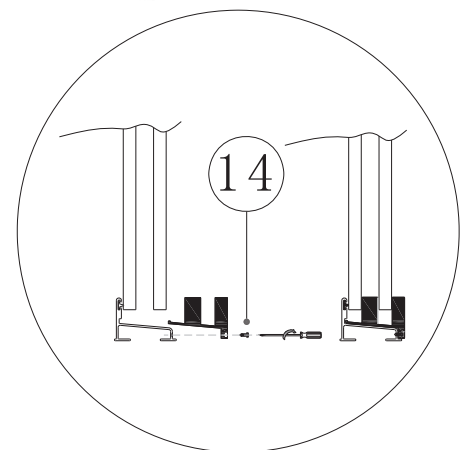




STEP 14 INSTALL TOWEL BAR

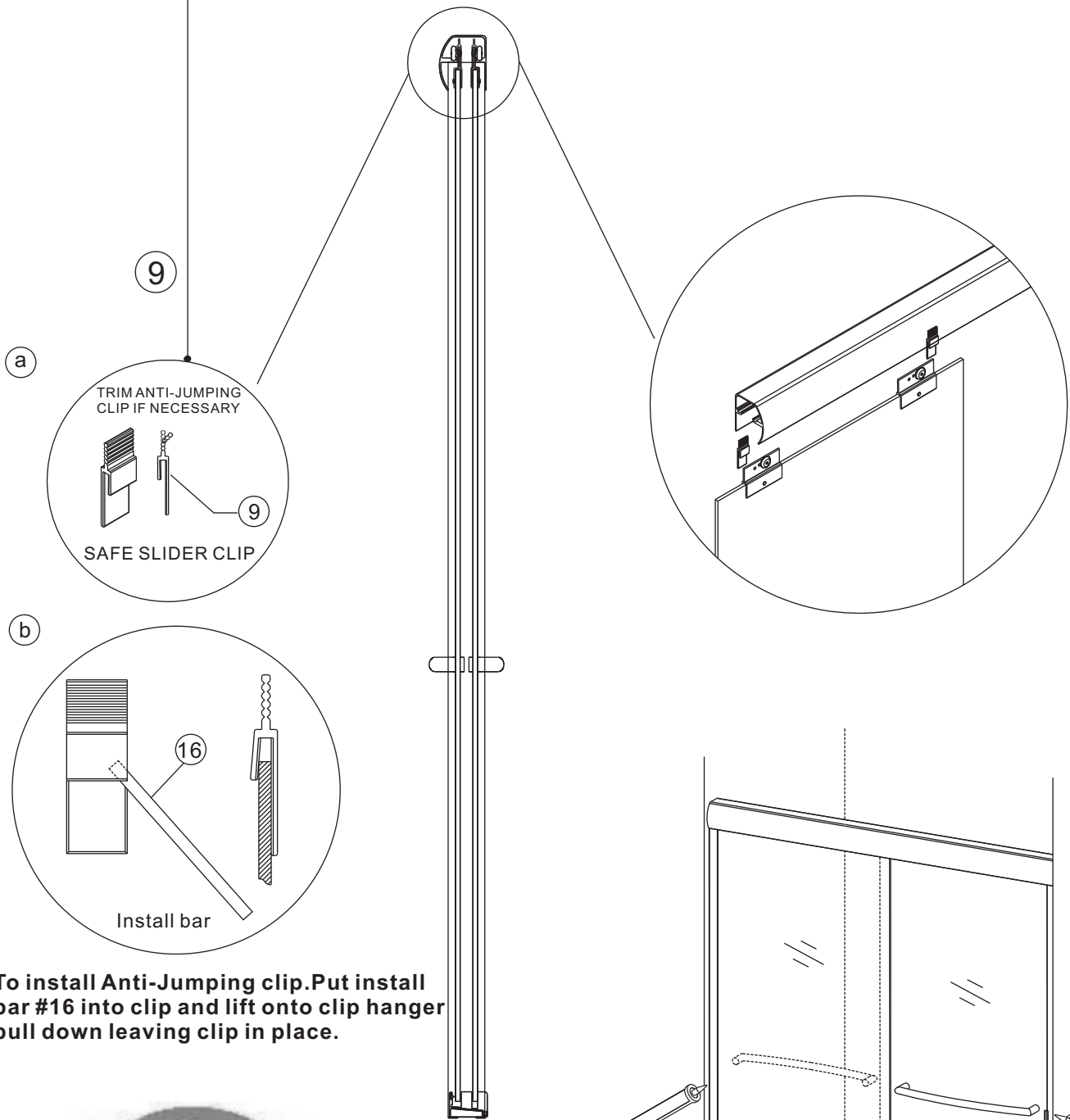


STEP 15 INSTALL GUIDE WITH 3/8" SCREWS



STEP 16

AT LAST. INSTALL SAFE SLIDER CLIP



To install Anti-Jumping clip. Put install bar #16 into clip and lift onto clip hanger pull down leaving clip in place.



24 Hours

CAULK ALL SIDES